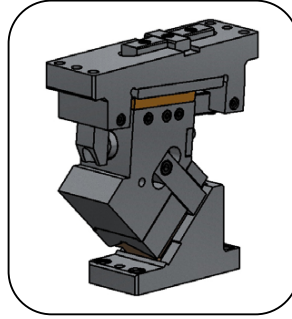




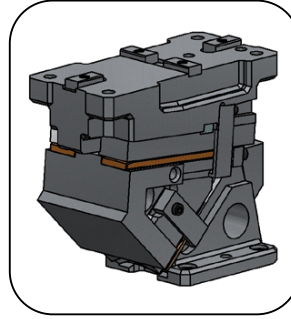
# ANRP

Aerial cam for pierce and flange

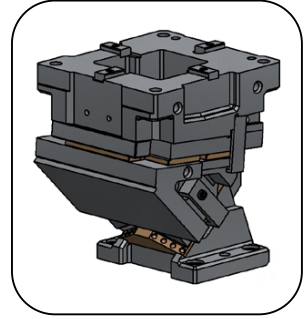
## General information



**ANRP 0070**  
**ANRP 0080**



**ANRP 0165**  
**ANRP 0200**

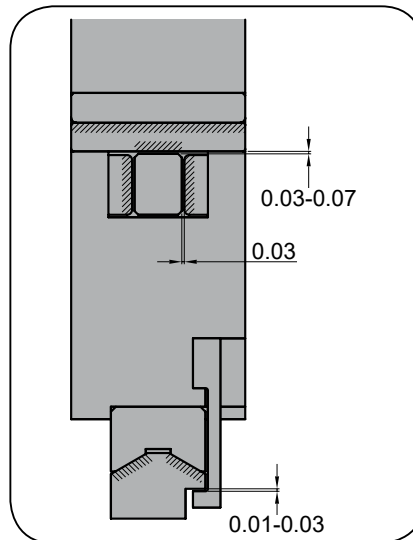


**ANRP 0300**  
**ANRP 0400**

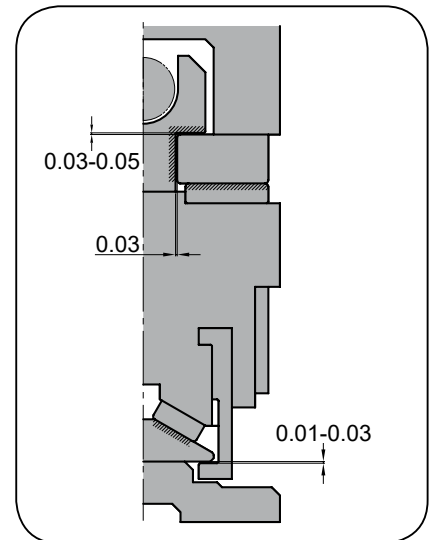
- Aerial cam.
- Angles from 0° to 60° with increments of 5°.
- "V" shaped sliding for auto-centered.
- Optional gas spring.
- According to NAAMS.

## Adjustment clearances

**ANRP 0070 / 0080**



**ANRP 0165 / 0200**



# ANRP

Aerial cam for pierce and flange



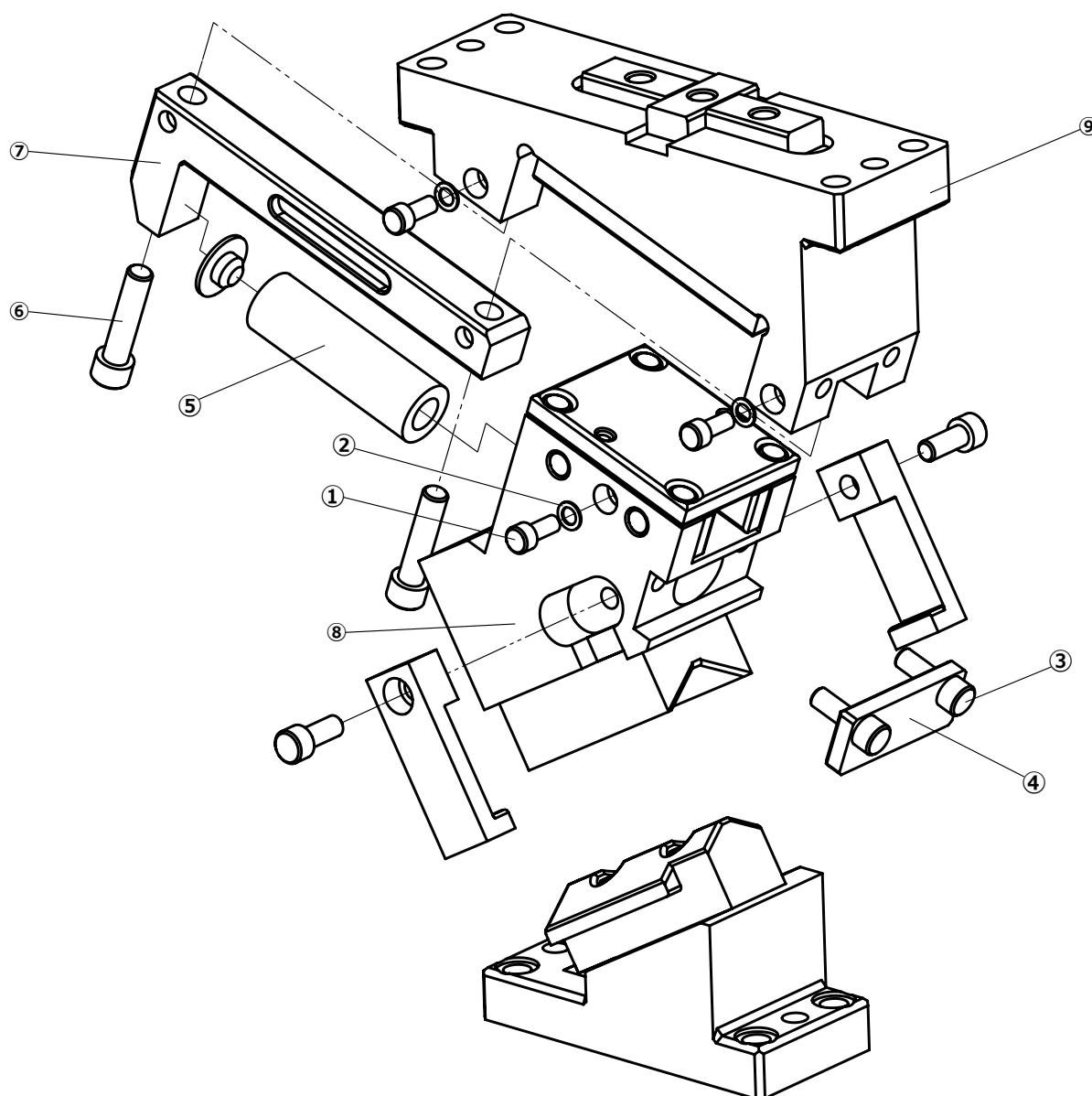
## Assembling and disassembling

### Disassembling process

- Unscrew ① pieces and remove the washer ②.
- Remove screw ③, stopper plate ④ and extract gas spring ⑤.
- Unscrew ⑥ pieces and remove the guide bar ⑦ from cam holder ⑨.
- Drag guide bar through cam holder.

### Assembling process

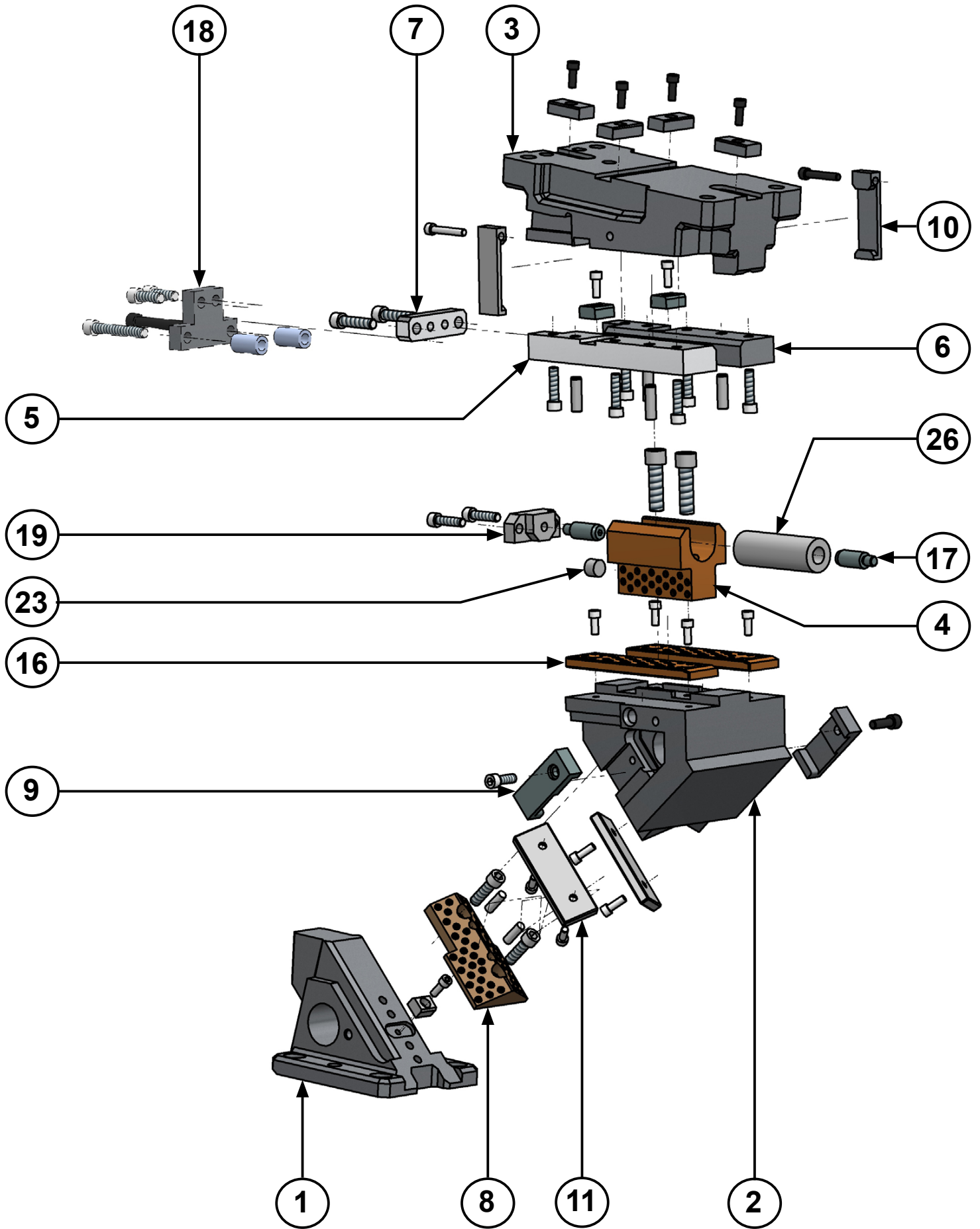
- Make sure that there are no metal shaving or impurities.
- The clearance between the cam holder and slider is controlled.
- Match the serial numbers marked in each part before assembly.
- Make sure that all the screws have been used.





# ANRP 0165

*Aerial cam for pierce and flange*

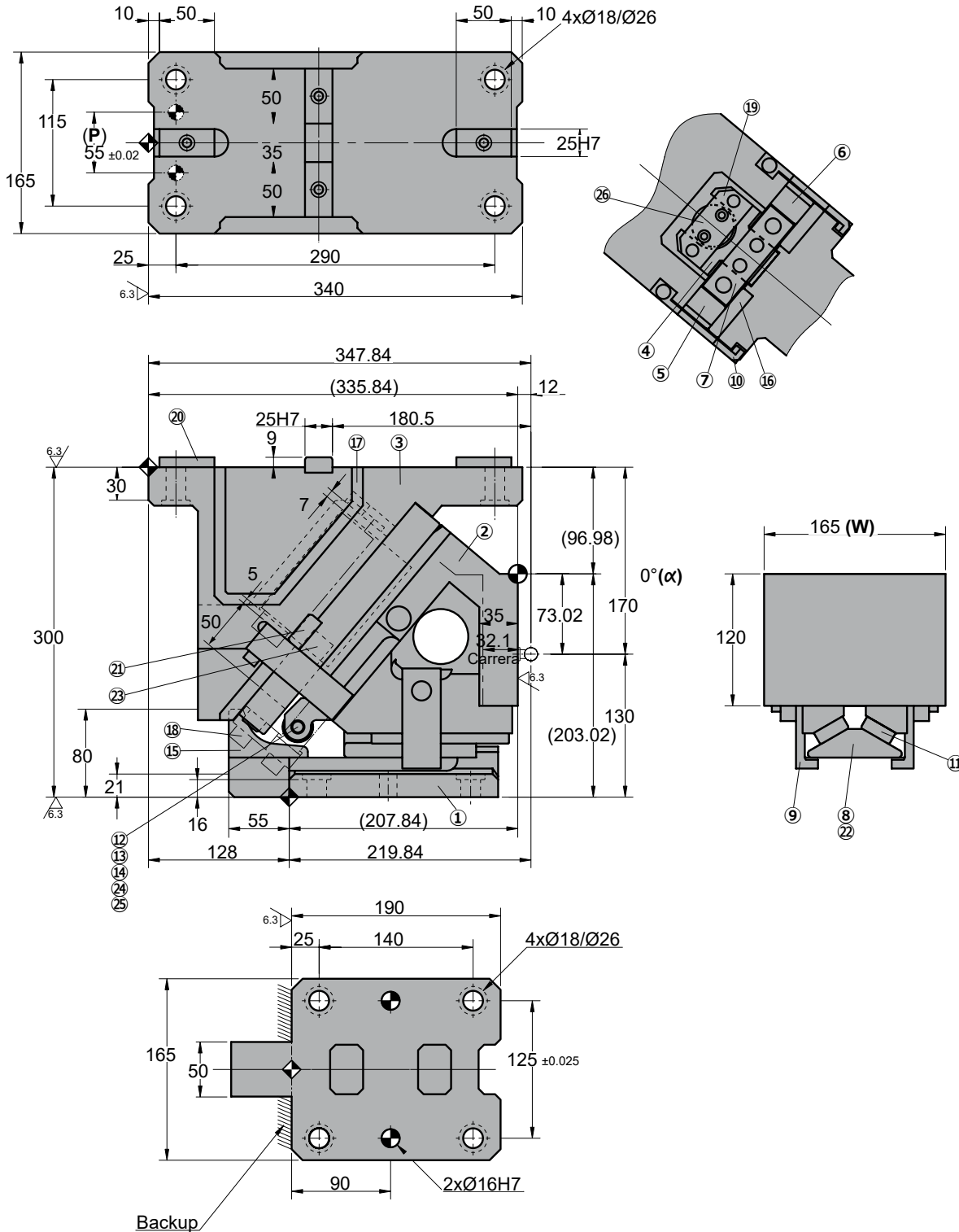


# ANRP 0165

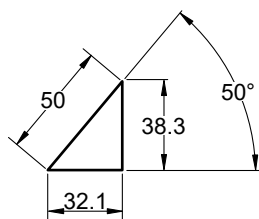
Aerial cam for pierce and flange



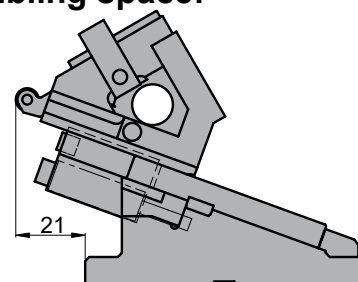
## ANRP 0165 00



### Cam diagram:



### Disassembling space:





# ANRP 0165

Aerial cam for pierce and flange

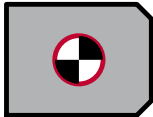

Stroke (mm)	Working force kN - (tons)	Spring Force N - (kgf)		Weight (Kg)	Model	W (mm)	$\alpha$ (mm)
		Initial F <sub>0</sub>	Final F <sub>1</sub>				
32.1	294.2 (30.0)	449.1 (45.8)	2694.0 (274.7)	76.1	ANRP	0165	00
		---	3308.1 (337.3)				



Order: Model (W) ( $\alpha$ )  
**ANRP 0165 00**

Standard order example according to catalog sheet. Add options applying options table contents.

## OPTIONS

	<p><b>P PINS</b></p> <p><b>P 16 - Ø16 H7.</b></p> 
	<p><b>G GAS SPRING</b></p> <p><b>G Gas spring included in the cam</b></p> 

### Order Options: Model (W) ( $\alpha$ )-Option



**ANRP 0165 00-G**  
**ANRP 0165 00-G-P**



### SPARE PARTS:

- ④ Spring Guide
- ⑧ Slide Guide
- ⑩ Slider Plate B
- ⑫ Coil Spring
- ⑫ Gas spring (G)

## COMPONENTS

No.	Description	Qty.	Material
①	Cam Driver	1	GG25
②	Cam Slider	1	GG25
③	Cam Holder	1	GG25
④	Spring Guide	1	Bronze + G
⑤	Base Plate D-R	1	CK45
⑥	Base Plate D-L	1	CK45
⑦	Stopper Plate	1	CK45
⑧	Slide Guide	1	Bronze + G
⑨	Positive Return A	2	CK45
⑩	Positive Return B	2	CK22
⑪	Slider Plate A	2	CK45
⑫	Bearing	1	CK45
⑬	Bearing Shaft	1	CK45
⑭	Roller Body	1	CK45

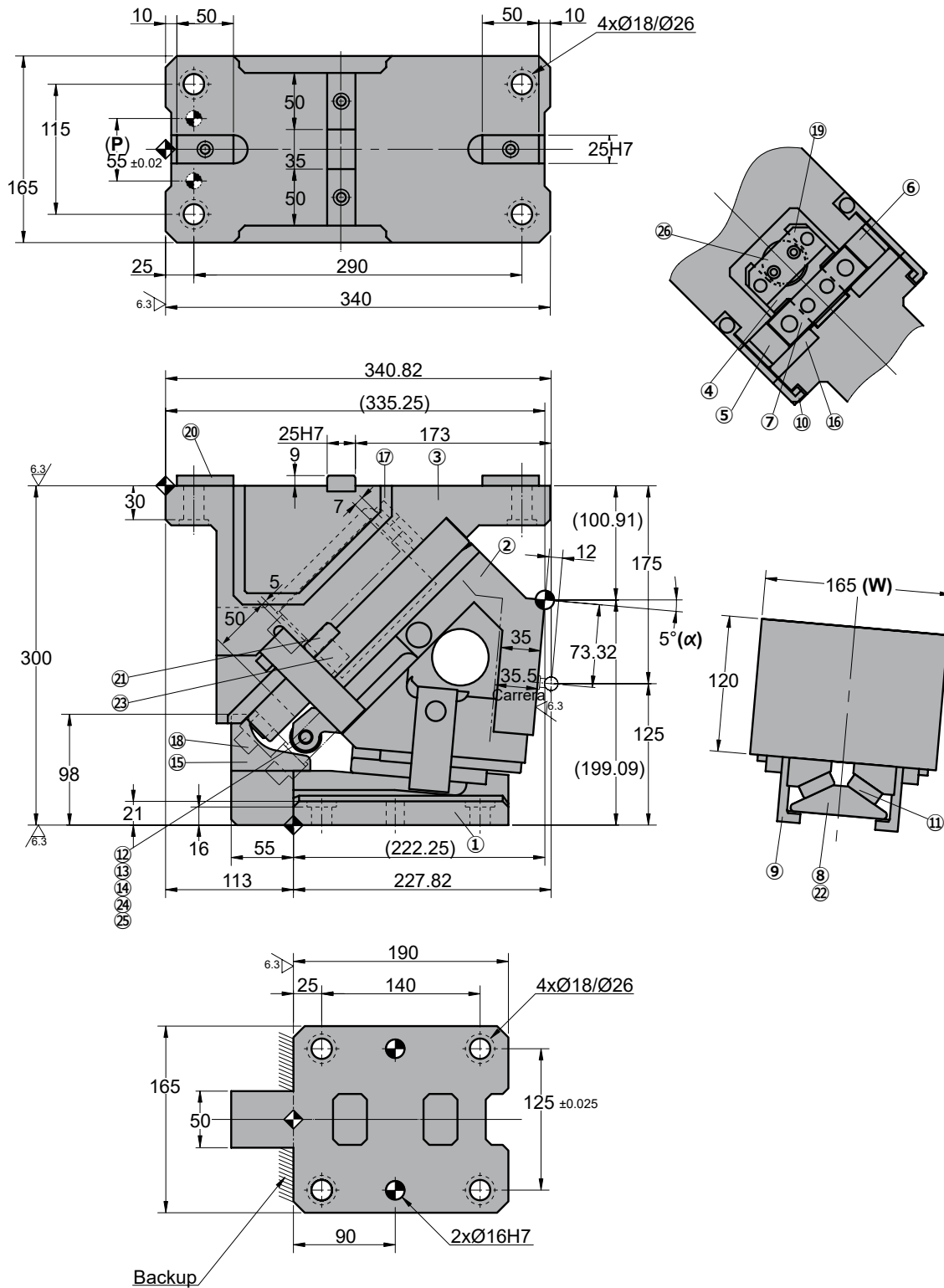
No.	Description	Qty.	Material
⑮	Bearing Guide	1	CK45
⑯	Slider Plate B	2	Bronze
⑰	Coil Spring Holder	1	CK45
⑱	Locking plate	1	CK22
⑲	Spring Guide Plate	1	CK22
⑳	Key A	4	CK45
㉑	Key B	2	CK45
㉒	Key C	1	CK45
㉓	Stopper	1	Urethane
㉔	Bushing	1	Bronze + G
㉕	Elastic Ring	2	Ø9
㉖	Coil Spring	1	TJM40-178
㉖	Gas Spring	1	AG 250 063

# ANRP 0165

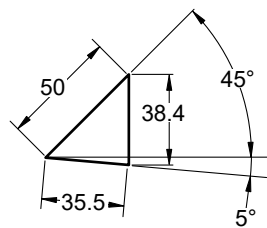
Aerial cam for pierce and flange



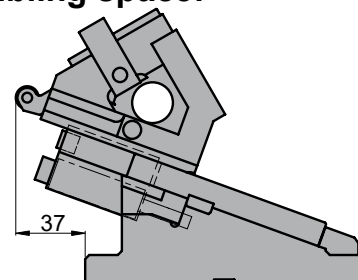
## ANRP 0165 05



### ◦Cam diagram:



### ◦Disassembling space:







# ANRP 0165

Aerial cam for pierce and flange



Stroke (mm)	Working force kN - (tons)	Spring Force N - (kgf)		Weight (Kg)	Model	W (mm)	$\alpha$ (mm)
		Initial F <sub>0</sub>	Final F <sub>1</sub>				
35.5	294.2 (30.0)	449.1 (45.8)	2694.0 (274.7)	74.2	ANRP	0165	05
		---	3308.1 (337.3)				



Order: Model (W) ( $\alpha$ )  
**ANRP 0165 05**

Standard order example according to catalog sheet.  
 Add options applying options table contents.

## OPTIONS

	<p><b>P PINS</b></p> <p><b>P 16 - Ø16 H7.</b></p> 
	<p><b>G GAS SPRING</b></p> <p><b>G Gas spring included in the cam</b></p> 

### Order Options: Model (W) ( $\alpha$ )-Option



**ANRP 0165 05-G**  
**ANRP 0165 05-G-P**



### SPARE PARTS:

- ④ Spring Guide
- ⑧ Slide Guide
- ⑯ Slider Plate B
- ⑳ Coil Spring
- ㉖ Gas spring (G)

## COMPONENTS

No.	Description	Qty.	Material
①	Cam Driver	1	GG25
②	Cam Slider	1	GG25
③	Cam Holder	1	GG25
④	Spring Guide	1	Bronze + G
⑤	Base Plate D-R	1	CK45
⑥	Base Plate D-L	1	CK45
⑦	Stopper Plate	1	CK45
⑧	Slide Guide	1	Bronze + G
⑨	Positive Return A	2	CK45
⑩	Positive Return B	2	CK22
⑪	Slider Plate A	2	CK45
⑫	Bearing	1	CK45
⑬	Bearing Shaft	1	CK45
⑭	Roller Body	1	CK45

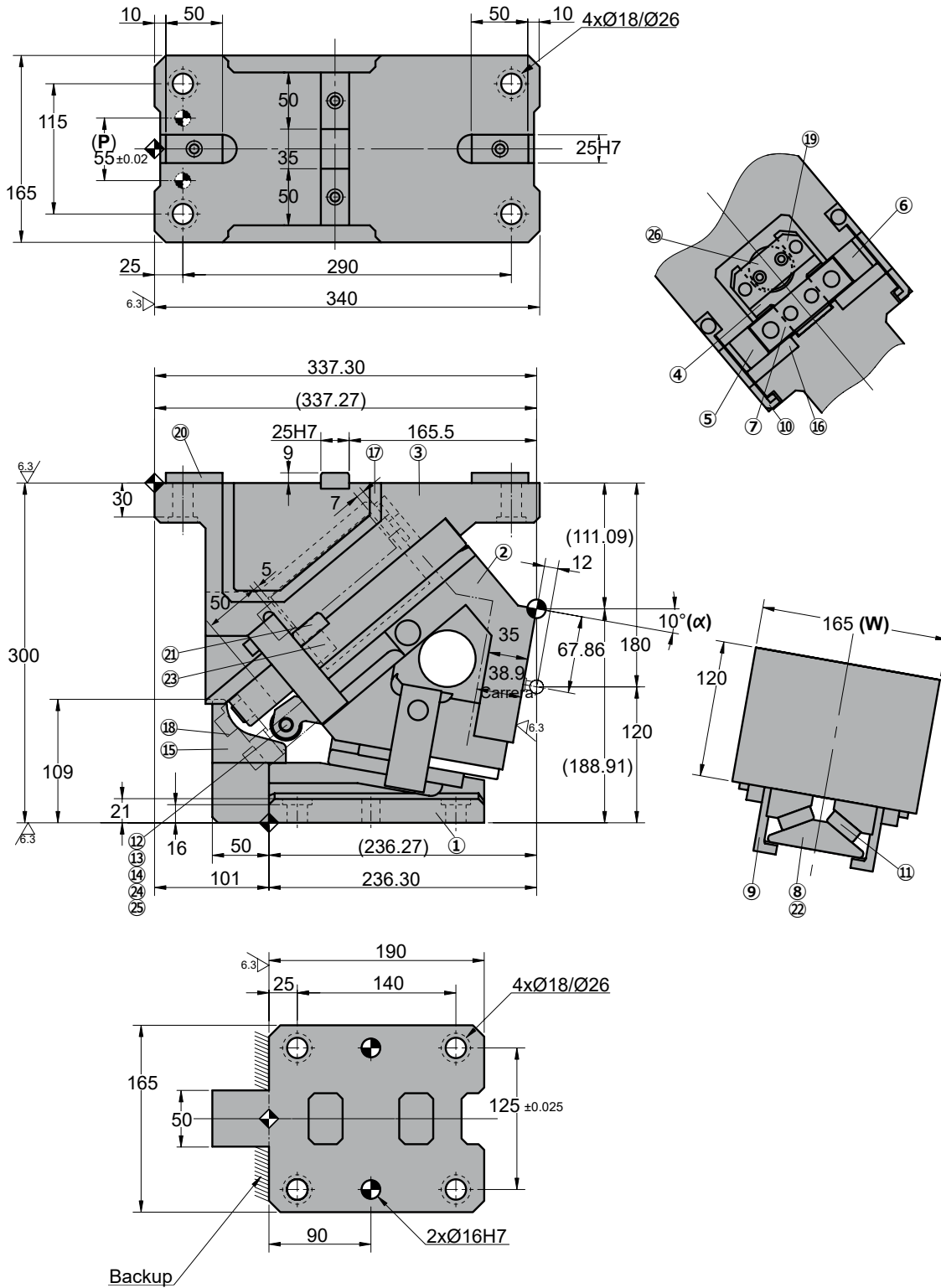
No.	Description	Qty.	Material
⑮	Bearing Guide	1	CK45
⑯	Slider Plate B	2	Bronze
⑰	Coil Spring Holder	1	CK45
⑱	Locking plate	1	CK22
⑲	Spring Guide Plate	1	CK22
⑳	Key A	4	CK45
㉑	Key B	2	CK45
㉒	Key C	1	CK45
㉓	Stopper	1	Urethane
㉔	Bushing	1	Bronze + G
㉕	Elastic Ring	2	Ø9
㉖	Coil Spring	1	TJM40-178
㉖	Gas Spring	1	AG 250 063

# ANRP 0165

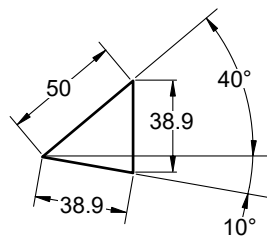
Aerial cam for pierce and flange



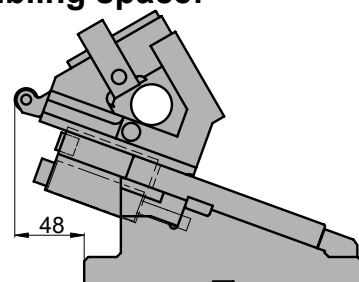
## ANRP 0165 10



### Cam diagram:



### Disassembling space:







# ANRP 0165

Aerial cam for pierce and flange



Stroke (mm)	Working force kN - (tons)	Spring Force N - (kgf)		Weight (Kg)	Model	W (mm)	$\alpha$ (mm)
		Initial F <sub>0</sub>	Final F <sub>1</sub>				
38.9	294.2 (30.0)	449.1 (45.8)	2694.0 (274.7)	73.8	ANRP	0165	10
		---	3308.1 (337.3)				



Order: Model (W) ( $\alpha$ )  
**ANRP 0165 10**

Standard order example according to catalog sheet. Add options applying options table contents.

## OPTIONS

	<p><b>P PINS</b></p> <p><b>P 16 - Ø16 H7.</b></p> 
	<p><b>G GAS SPRING</b></p> <p><b>G Gas spring included in the cam</b></p> 

### Order Options: Model (W) ( $\alpha$ )-Option



**ANRP 0165 10-G**  
**ANRP 0165 10-G-P**



### SPARE PARTS:

- ④ Spring Guide
- ⑧ Slide Guide
- ⑯ Slider Plate B
- ⑳ Coil Spring
- ㉔ Gas spring (G)

## COMPONENTS

No.	Description	Qty.	Material
①	Cam Driver	1	GG25
②	Cam Slider	1	GG25
③	Cam Holder	1	GG25
④	Spring Guide	1	Bronze + G
⑤	Base Plate D-R	1	CK45
⑥	Base Plate D-L	1	CK45
⑦	Stopper Plate	1	CK45
⑧	Slide Guide	1	Bronze + G
⑨	Positive Return A	2	CK45
⑩	Positive Return B	2	CK22
⑪	Slider Plate A	2	CK45
⑫	Bearing	1	CK45
⑬	Bearing Shaft	1	CK45
⑭	Roller Body	1	CK45

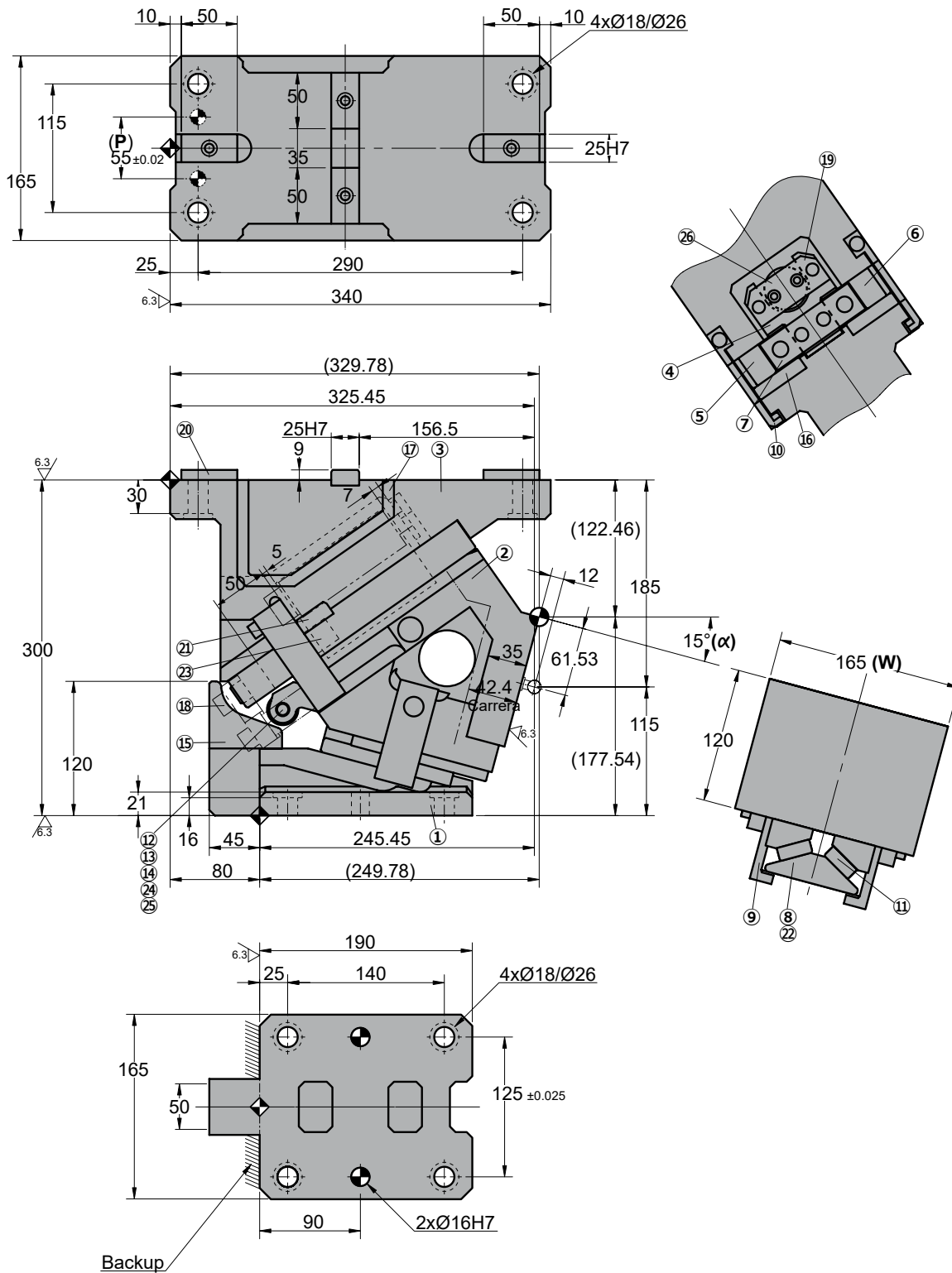
No.	Description	Qty.	Material
⑮	Bearing Guide	1	CK45
⑯	Slider Plate B	2	Bronze
⑰	Coil Spring Holder	1	CK45
⑱	Locking plate	1	CK22
⑲	Spring Guide Plate	1	CK22
⑳	Key A	4	CK45
㉑	Key B	2	CK45
㉒	Key C	1	CK45
㉓	Stopper	1	Urethane
㉔	Bushing	1	Bronze + G
㉕	Elastic Ring	2	Ø9
㉖	Coil Spring	1	TJM40-178
㉖	Gas Spring	1	AG 250 063

# ANRP 0165

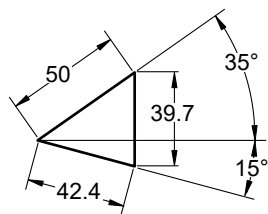
Aerial cam for pierce and flange



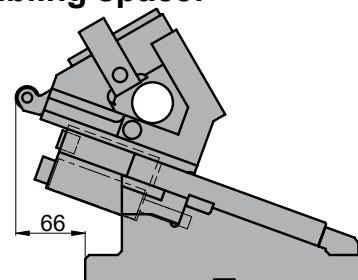
## ANRP 0165 15



### Cam diagram:



### Disassembling space:





# ANRP 0165

Aerial cam for pierce and flange



Stroke (mm)	Working force kN - (tons)	Spring Force N - (kgf)		Weight (Kg)	Model	W (mm)	$\alpha$ (mm)
		Initial F <sub>0</sub>	Final F <sub>1</sub>				
42.4	294.2 (30.0)	449.1 (45.8)	2694.0 (274.7)	73.1	ANRP	0165	15
		---	3308.1 (337.3)				



Order: Model (W) ( $\alpha$ )  
**ANRP 0165 15**

Standard order example according to catalog sheet. Add options applying options table contents.

## OPTIONS

	<p><b>P PINS</b></p> <p><b>P 16 - Ø16 H7.</b></p> 
	<p><b>G GAS SPRING</b></p> <p><b>G Gas spring included in the cam</b></p> 

### Order Options: Model (W) ( $\alpha$ )-Option



**ANRP 0165 15-G**  
**ANRP 0165 15-G-P**



### SPARE PARTS:

- ④ Spring Guide
- ⑧ Slide Guide
- ⑯ Slider Plate B
- ⑳ Coil Spring
- ㉖ Gas spring (G)

## COMPONENTS

No.	Description	Qty.	Material
①	Cam Driver	1	GG25
②	Cam Slider	1	GG25
③	Cam Holder	1	GG25
④	Spring Guide	1	Bronze + G
⑤	Base Plate D-R	1	CK45
⑥	Base Plate D-L	1	CK45
⑦	Stopper Plate	1	CK45
⑧	Slide Guide	1	Bronze + G
⑨	Positive Return A	2	CK45
⑩	Positive Return B	2	CK22
⑪	Slider Plate A	2	CK45
⑫	Bearing	1	CK45
⑬	Bearing Shaft	1	CK45
⑭	Roller Body	1	CK45

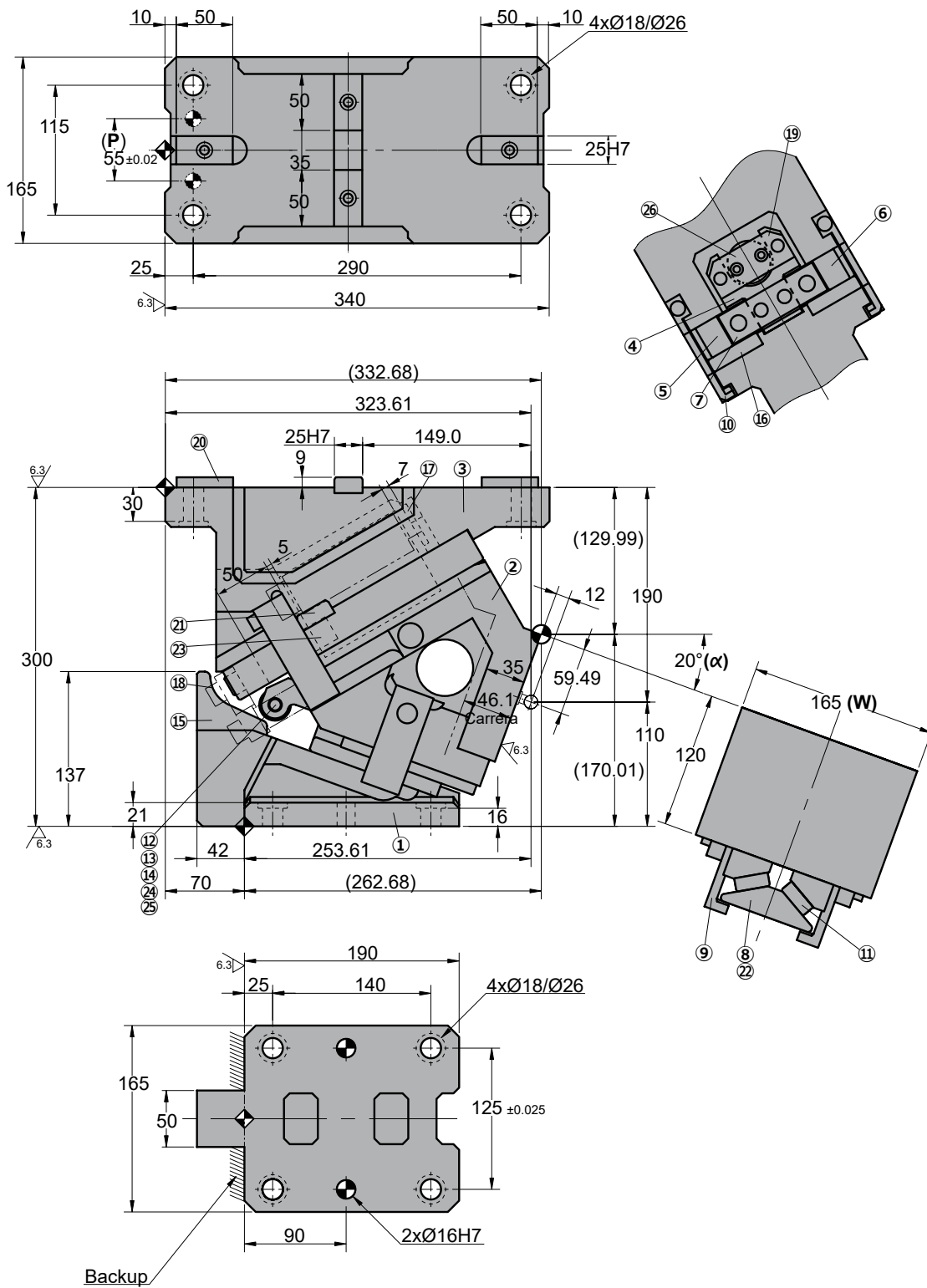
No.	Description	Qty.	Material
⑮	Bearing Guide	1	CK45
⑯	Slider Plate B	2	Bronze
⑰	Coil Spring Holder	1	CK45
⑱	Locking plate	1	CK22
⑲	Spring Guide Plate	1	CK22
⑳	Key A	4	CK45
㉑	Key B	2	CK45
㉒	Key C	1	CK45
㉓	Stopper	1	Urethane
㉔	Bushing	1	Bronze + G
㉕	Elastic Ring	2	Ø9
㉖	Coil Spring	1	TJM40-178
㉖	Gas Spring	1	AG 250 063

# ANRP 0165

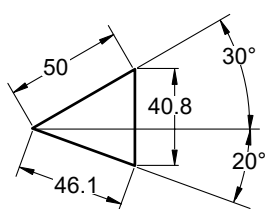
Aerial cam for pierce and flange



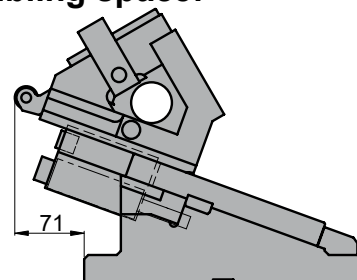
## ANRP 0165 20



### Cam diagram:





### Disassembling space:





# ANRP 0165

Aerial cam for pierce and flange

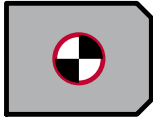

Stroke (mm)	Working force kN - (tons)	Spring Force N - (kgf)		Weight (Kg)	Model	W (mm)	$\alpha$ (mm)
		Initial F <sub>0</sub>	Final F <sub>1</sub>				
46.1	294.2 (30.0)	449.1 (45.8)	2694.0 (274.7)	72.3	ANRP	0165	20
		 ---	 3308.1 (337.3)				



Order: Model (W) ( $\alpha$ )  
**ANRP 0165 20**

Standard order example according to catalog sheet. Add options applying options table contents.

## OPTIONS

	<p><b>P PINS</b></p> <p><b>P 16 - Ø16 H7.</b></p> 
	<p><b>G GAS SPRING</b></p> <p><b>G Gas spring included in the cam</b></p> 

### Order Options: Model (W) ( $\alpha$ )-Option



**ANRP 0165 20-G**  
**ANRP 0165 20-G-P**



### SPARE PARTS:

- ④ Spring Guide
- ⑧ Slide Guide
- ⑩ Slider Plate B
- ⑫ Coil Spring
- ⑫ Gas spring (G)

## COMPONENTS

No.	Description	Qty.	Material
①	Cam Driver	1	GG25
②	Cam Slider	1	GG25
③	Cam Holder	1	GG25
④	Spring Guide	1	Bronze + G
⑤	Base Plate D-R	1	CK45
⑥	Base Plate D-L	1	CK45
⑦	Stopper Plate	1	CK45
⑧	Slide Guide	1	Bronze + G
⑨	Positive Return A	2	CK45
⑩	Positive Return B	2	CK22
⑪	Slider Plate A	2	CK45
⑫	Bearing	1	CK45
⑬	Bearing Shaft	1	CK45
⑭	Roller Body	1	CK45

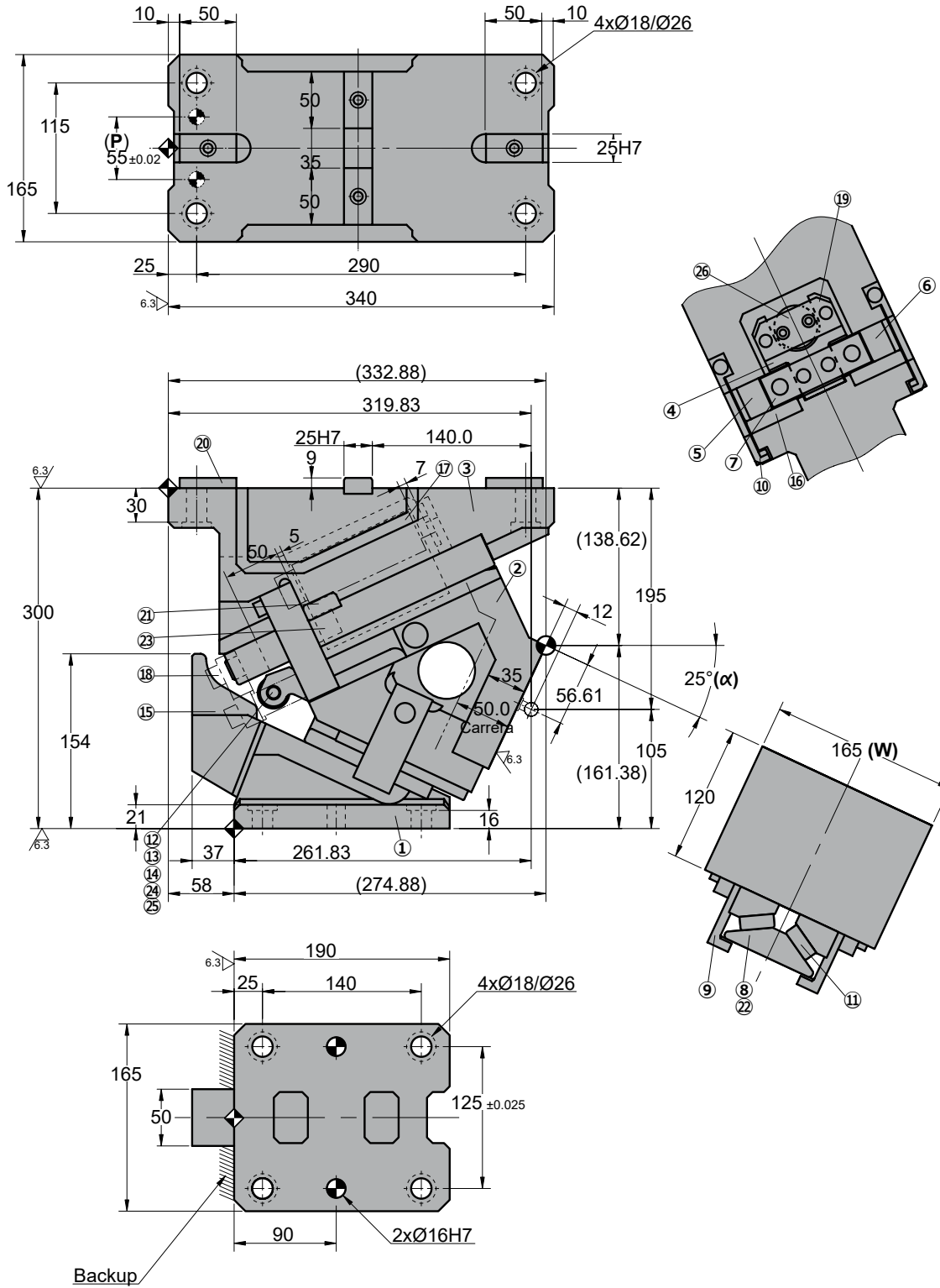
No.	Description	Qty.	Material
⑮	Bearing Guide	1	CK45
⑯	Slider Plate B	2	Bronze
⑰	Coil Spring Holder	1	CK45
⑱	Locking plate	1	CK22
⑲	Spring Guide Plate	1	CK22
⑳	Key A	4	CK45
㉑	Key B	2	CK45
㉒	Key C	1	CK45
㉓	Stopper	1	Urethane
㉔	Bushing	1	Bronze + G
㉕	Elastic Ring	2	Ø9
㉖	Coil Spring	1	TJM40-178
㉖	Gas Spring	1	AG 250 063

# ANRP 0165

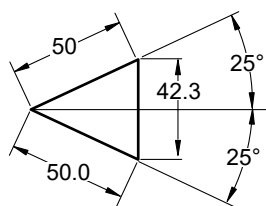
Aerial cam for pierce and flange



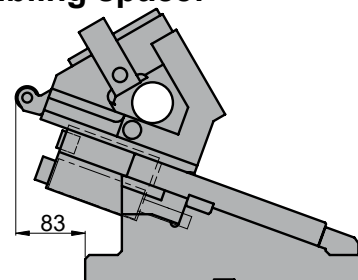
## ANRP 0165 25



### Cam diagram:



### Disassembling space:









# ANRP 0165

Aerial cam for pierce and flange



Stroke (mm)	Working force kN - (tons)	Spring Force N - (kgf)		Weight (Kg)	Model	W (mm)	α (mm)
		Initial F <sub>0</sub>	Final F <sub>1</sub>				
50.0	294.2 (30.0)	449.1 (45.8)	2694.0 (274.7)	72.1	ANRP	0165	25
		 ---	 3308.1 (337.3)				



Order: Model (W) (α)  
**ANRP 0165 25**

Standard order example according to catalog sheet.  
 Add options applying options table contents.

## OPTIONS

	<p><b>P PINS</b></p> <p><b>P 16 - Ø16 H7.</b></p> 
	<p><b>G GAS SPRING</b></p> <p><b>G Gas spring included in the cam</b></p> 

### Order Options: Model (W) (α)-Option



**ANRP 0165 25-G**  
**ANRP 0165 25-G-P**



### SPARE PARTS:

- ④ Spring Guide
- ⑧ Slide Guide
- ⑯ Slider Plate B
- ⑳ Coil Spring
- ㉙ Gas spring (G)

## COMPONENTS

No.	Description	Qty.	Material
①	Cam Driver	1	GG25
②	Cam Slider	1	GG25
③	Cam Holder	1	GG25
④	Spring Guide	1	Bronze + G
⑤	Base Plate D-R	1	CK45
⑥	Base Plate D-L	1	CK45
⑦	Stopper Plate	1	CK45
⑧	Slide Guide	1	Bronze + G
⑨	Positive Return A	2	CK45
⑩	Positive Return B	2	CK22
⑪	Slider Plate A	2	CK45
⑫	Bearing	1	CK45
⑬	Bearing Shaft	1	CK45
⑭	Roller Body	1	CK45

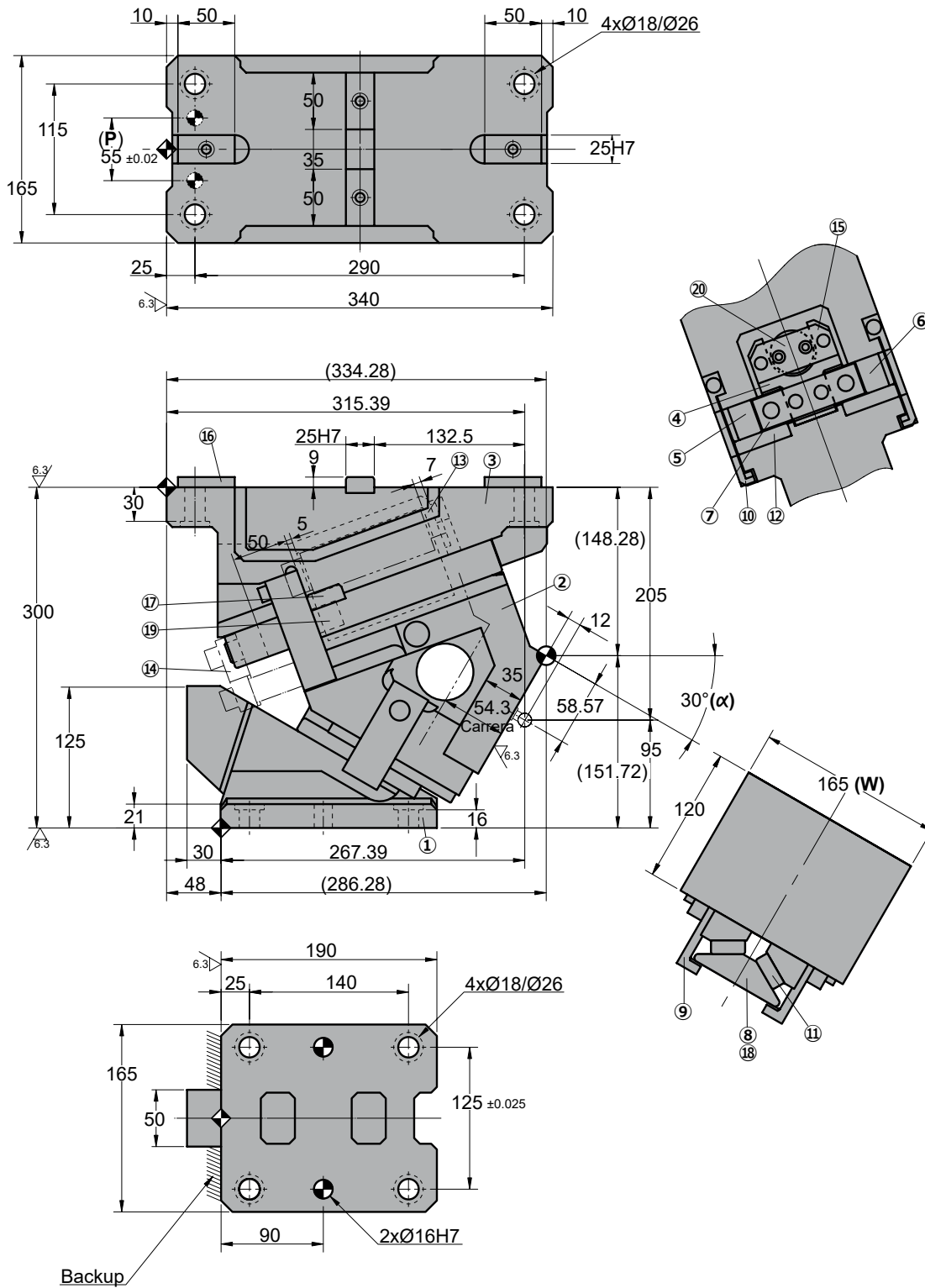
No.	Description	Qty.	Material
⑮	Bearing Guide	1	CK45
⑯	Slider Plate B	2	Bronze
⑰	Coil Spring Holder	1	CK45
⑱	Locking plate	1	CK22
⑲	Spring Guide Plate	1	CK22
⑳	Key A	4	CK45
㉑	Key B	2	CK45
㉒	Key C	1	CK45
㉓	Stopper	1	Urethane
㉔	Bushing	1	Bronze + G
㉕	Elastic Ring	2	Ø9
㉖	Coil Spring	1	TJM40-178
㉖	Gas Spring	1	AG 250 063

# ANRP 0165

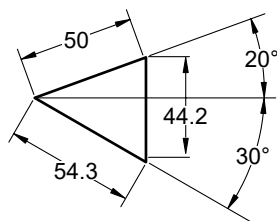
Aerial cam for pierce and flange



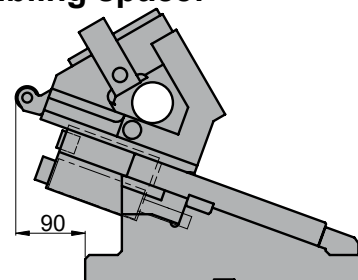
## ANRP 0165 30



### Cam diagram:



### Disassembling space:





# ANRP 0165

Aerial cam for pierce and flange



Stroke (mm)	Working force kN - (tons)	Spring Force N - (kgf)		Weight (Kg)	Model	W (mm)	$\alpha$ (mm)
		Initial F <sub>0</sub>	Final F <sub>1</sub>				
54.3	294.2 (30.0)	449.1 (45.8)	2694.0 (274.7)	71.9	ANRP	0165	30
		---	3308.1 (337.3)				



Order: Model (W) ( $\alpha$ )  
**ANRP 0165 30**

Standard order example according to catalog sheet. Add options applying options table contents.

## OPTIONS

	<p><b>P PINS</b></p> <p><b>P 16 - Ø16 H7.</b></p> 
	<p><b>G GAS SPRING</b></p> <p><b>G Gas spring included in the cam</b></p> 

### Order Options: Model (W) ( $\alpha$ )-Option



**ANRP 0165 30-G**  
**ANRP 0165 30-G-P**



### SPARE PARTS:

- ④ Spring Guide
- ⑧ Slide Guide
- ⑫ Slider Plate B
- ⑳ Coil Spring
- ㉔ Gas spring (G)

## COMPONENTS

No.	Description	Qty.	Material
①	Cam Driver	1	GG25
②	Cam Slider	1	GG25
③	Cam Holder	1	GG25
④	Spring Guide	1	Bronze + G
⑤	Base Plate D-R	1	CK45
⑥	Base Plate D-L	1	CK45
⑦	Stopper Plate	1	CK45
⑧	Slide Guide	1	Bronze + G
⑨	Positive Return A	2	CK45
⑩	Positive Return B	2	CK22
⑪	Slider Plate A	2	CK45
⑫	Slider Plate B	2	Bronze

No.	Description	Qty.	Material
⑬	Coil Spring Holder	1	CK45
⑭	Locking plate	1	CK22
⑮	Spring Guide Plate	1	CK22
⑯	Key A	4	CK45
⑰	Key B	2	CK45
⑱	Key C	1	CK45
⑲	Stopper	1	Urethane
⑳	Coil Spring	1	TJM40-178

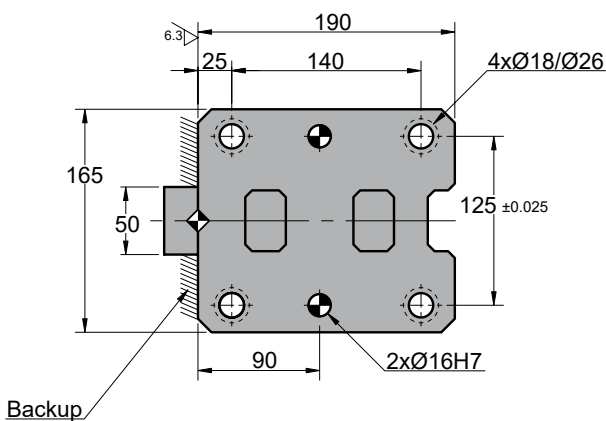
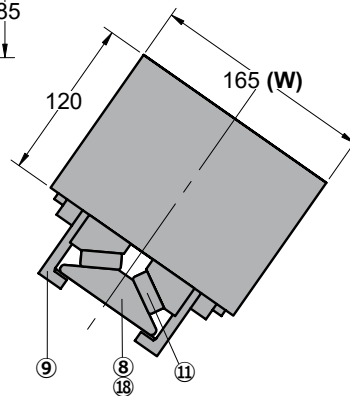
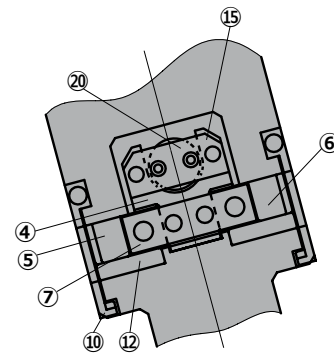
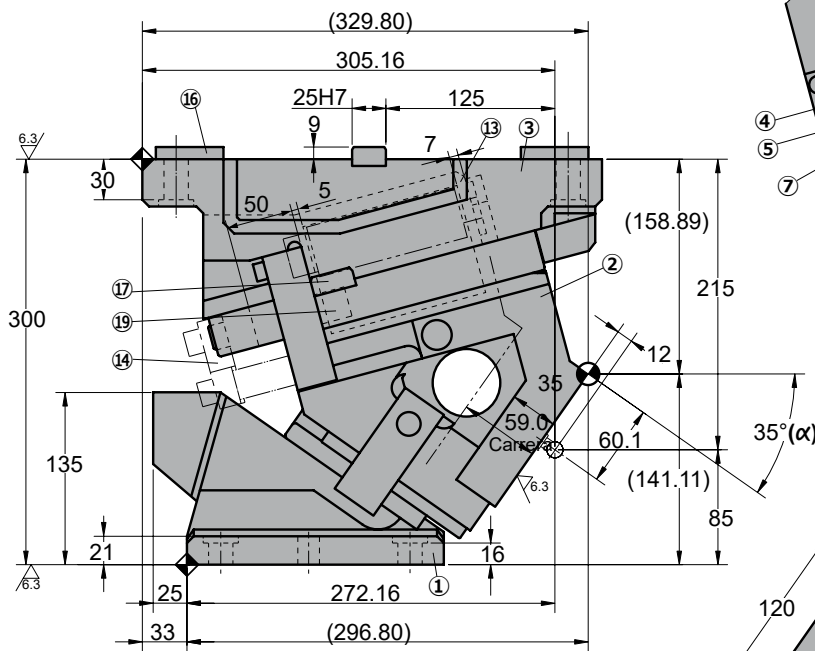
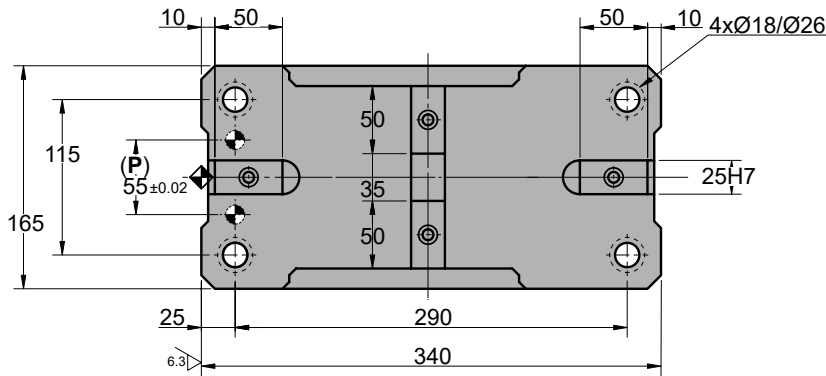
㉔	Gas Spring	1	AG 250 063
---	------------	---	------------

# ANRP 0165

Aerial cam for pierce and flange

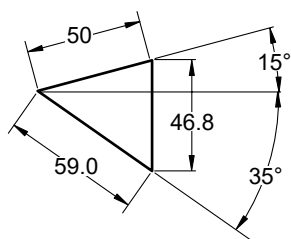


## ANRP 0165 35

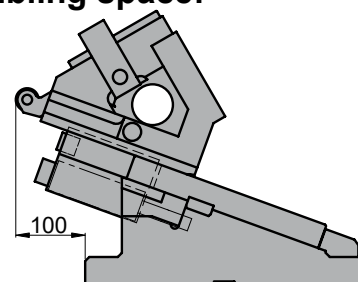


Backup

### Cam diagram:



### Disassembling space:





# ANRP 0165

Aerial cam for pierce and flange

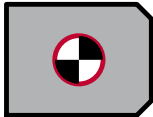

Stroke (mm)	Working force kN - (tons)	Spring Force N - (kgf)		Weight (Kg)	Model	W (mm)	$\alpha$ (mm)
		Initial F <sub>0</sub>	Final F <sub>1</sub>				
59.0	294.2 (30.0)	449.1 (45.8)	2694.0 (274.7)	72.2	ANRP	0165	35
		---	3308.1 (337.3)				



Order: Model (W) ( $\alpha$ )  
**ANRP 0165 35**

Standard order example according to catalog sheet. Add options applying options table contents.

## OPTIONS

	<p><b>P PINS</b></p> <p><b>P 16 - Ø16 H7.</b></p> 
	<p><b>G GAS SPRING</b></p> <p><b>G Gas spring included in the cam</b></p> 

### Order Options: Model (W) ( $\alpha$ )-Option



**ANRP 0165 35-G**  
**ANRP 0165 35-G-P**



### SPARE PARTS:

- ④ Spring Guide
- ⑧ Slide Guide
- ⑫ Slider Plate B
- ⑳ Coil Spring
- ⑳ Gas spring (G)

## COMPONENTS

No.	Description	Qty.	Material
①	Cam Driver	1	GG25
②	Cam Slider	1	GG25
③	Cam Holder	1	GG25
④	Spring Guide	1	Bronze + G
⑤	Base Plate D-R	1	CK45
⑥	Base Plate D-L	1	CK45
⑦	Stopper Plate	1	CK45
⑧	Slide Guide	1	Bronze + G
⑨	Positive Return A	2	CK45
⑩	Positive Return B	2	CK22
⑪	Slider Plate A	2	CK45
⑫	Slider Plate B	2	Bronze

No.	Description	Qty.	Material
⑬	Coil Spring Holder	1	CK45
⑭	Locking plate	1	CK22
⑮	Spring Guide Plate	1	CK22
⑯	Key A	4	CK45
⑰	Key B	2	CK45
⑱	Key C	1	CK45
⑲	Stopper	1	Urethane
⑳	Coil Spring	1	TJM40-178

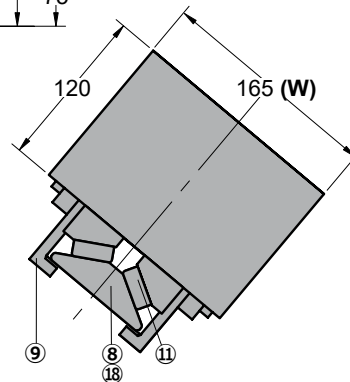
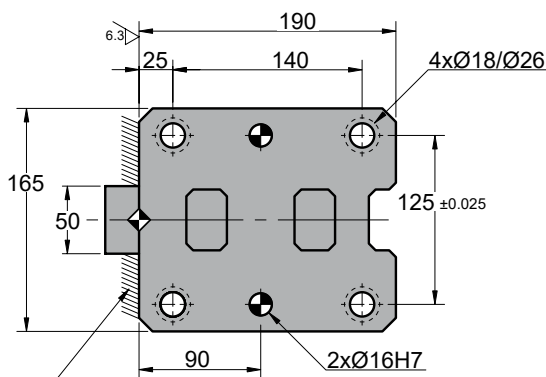
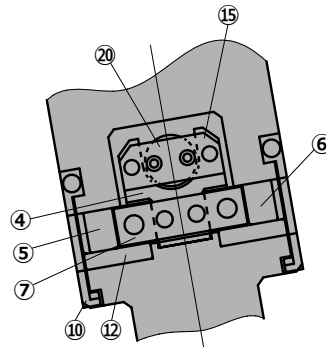
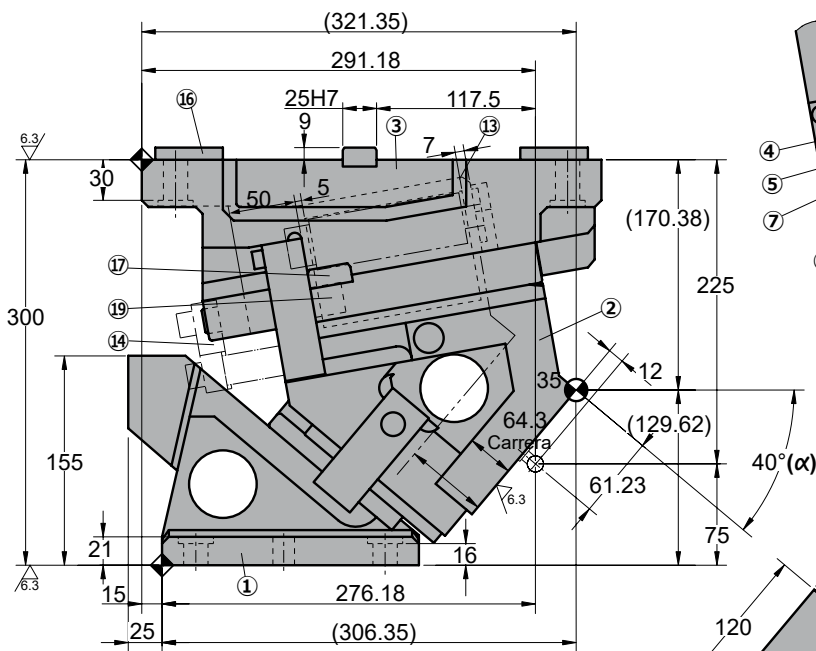
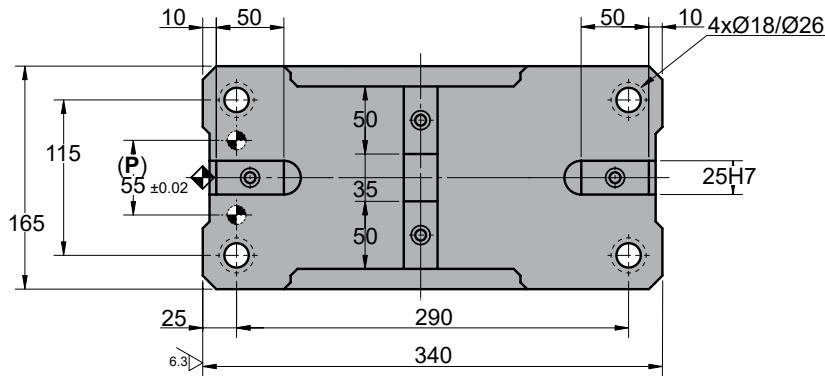
⑳	Gas Spring	1	AG 250 063
---	------------	---	------------

# ANRP 0165

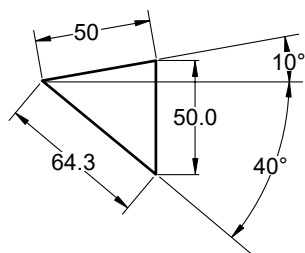
Aerial cam for pierce and flange



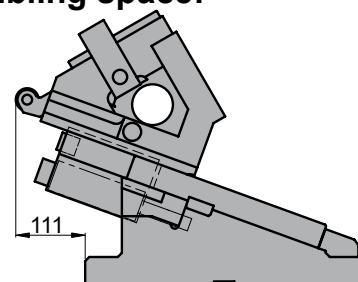
## ANRP 0165 40



◦Cam diagram:



◦Disassembling space:







# ANRP 0165

Aerial cam for pierce and flange

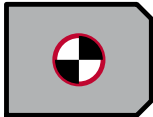

Stroke (mm)	Working force kN - (tons)	Spring Force N - (kgf)		Weight (Kg)	Model	W (mm)	$\alpha$ (mm)
		Initial F <sub>0</sub>	Final F <sub>1</sub>				
64.3	294.2 (30.0)	449.1 (45.8)	2694.0 (274.7)	72.4	ANRP	0165	40
		---	3308.1 (337.3)				



Order: Model (W) ( $\alpha$ )  
**ANRP 0165 40**

Standard order example according to catalog sheet. Add options applying options table contents.

## OPTIONS

	<p><b>P PINS</b></p> <p><b>P 16 - Ø16 H7.</b></p> 
	<p><b>G GAS SPRING</b></p> <p><b>G Gas spring included in the cam</b></p> 

### Order Options: Model (W) ( $\alpha$ )-Option



**ANRP 0165 40-G**  
**ANRP 0165 40-G-P**



### SPARE PARTS:

- ④ Spring Guide
- ⑧ Slide Guide
- ⑫ Slider Plate B
- ⑳ Coil Spring
- ⑳ Gas spring (G)

## COMPONENTS

No.	Description	Qty.	Material
①	Cam Driver	1	GG25
②	Cam Slider	1	GG25
③	Cam Holder	1	GG25
④	Spring Guide	1	Bronze + G
⑤	Base Plate D-R	1	CK45
⑥	Base Plate D-L	1	CK45
⑦	Stopper Plate	1	CK45
⑧	Slide Guide	1	Bronze + G
⑨	Positive Return A	2	CK45
⑩	Positive Return B	2	CK22
⑪	Slider Plate A	2	CK45
⑫	Slider Plate B	2	Bronze

No.	Description	Qty.	Material
⑬	Coil Spring Holder	1	CK45
⑭	Locking plate	1	CK22
⑮	Spring Guide Plate	1	CK22
⑯	Key A	4	CK45
⑰	Key B	2	CK45
⑱	Key C	1	CK45
⑲	Stopper	1	Urethane
⑳	Coil Spring	1	TJM40-178

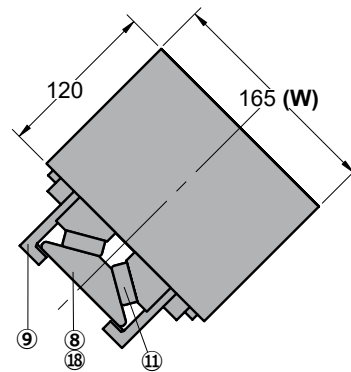
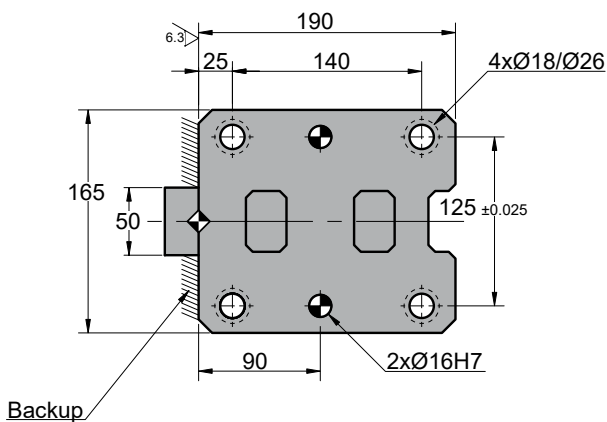
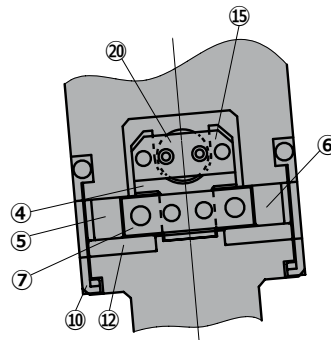
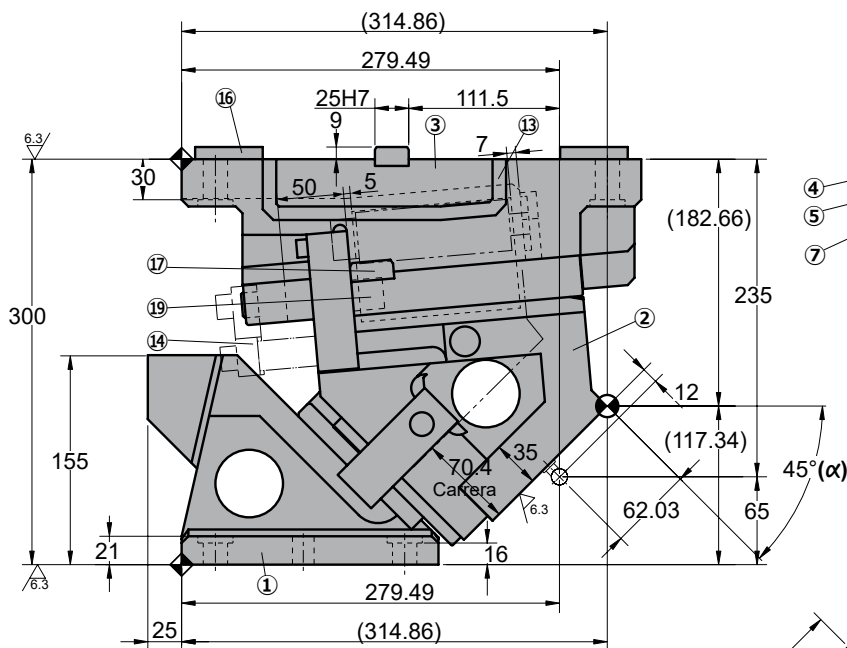
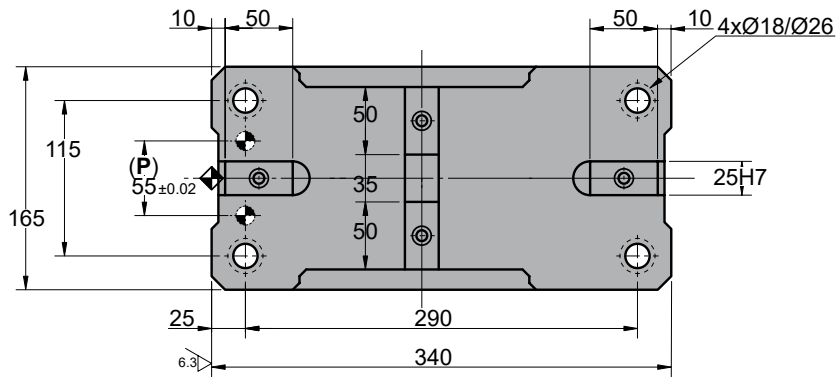
⑳	Gas Spring	1	AG 250 063
---	------------	---	------------

# ANRP 0165

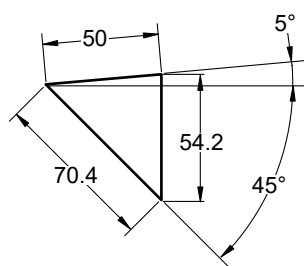
Aerial cam for pierce and flange



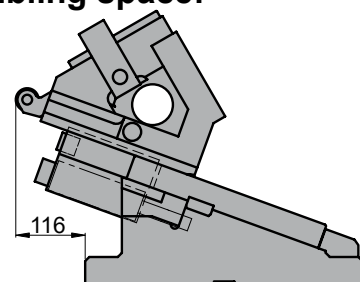
## ANRP 0165 45



◦Cam diagram:



◦Disassembling space:





# ANRP 0165

Aerial cam for pierce and flange



Stroke (mm)	Working force kN - (tons)	Spring Force N - (kgf)		Weight (Kg)	Model	W (mm)	$\alpha$ (mm)
		Initial F <sub>0</sub>	Final F <sub>1</sub>				
70.4	294.2 (30.0)	449.1 (45.8)	2694.0 (274.7)	65.5	ANRP	0165	45
		---	3308.1 (337.3)				



Order: Model (W) ( $\alpha$ )  
**ANRP 0165 45**

Standard order example according to catalog sheet. Add options applying options table contents.

## OPTIONS

	<p><b>P PINS</b></p> <p><b>P 16 - Ø16 H7.</b></p> 
	<p><b>G GAS SPRING</b></p> <p><b>G Gas spring included in the cam</b></p> 

### Order Options: Model (W) ( $\alpha$ )-Option



**ANRP 0165 45-G**  
**ANRP 0165 45-G-P**



### SPARE PARTS:

- ④ Spring Guide
- ⑧ Slide Guide
- ⑫ Slider Plate B
- ⑳ Coil Spring
- ⑳ Gas spring (G)

## COMPONENTS

No.	Description	Qty.	Material
①	Cam Driver	1	GG25
②	Cam Slider	1	GG25
③	Cam Holder	1	GG25
④	Spring Guide	1	Bronze + G
⑤	Base Plate D-R	1	CK45
⑥	Base Plate D-L	1	CK45
⑦	Stopper Plate	1	CK45
⑧	Slide Guide	1	Bronze + G
⑨	Positive Return A	2	CK45
⑩	Positive Return B	2	CK22
⑪	Slider Plate A	2	CK45
⑫	Slider Plate B	2	Bronze

No.	Description	Qty.	Material
⑬	Coil Spring Holder	1	CK45
⑭	Locking plate	1	CK22
⑮	Spring Guide Plate	1	CK22
⑯	Key A	4	CK45
⑰	Key B	2	CK45
⑱	Key C	1	CK45
⑲	Stopper	1	Urethane
⑳	Coil Spring	1	TJM40-178

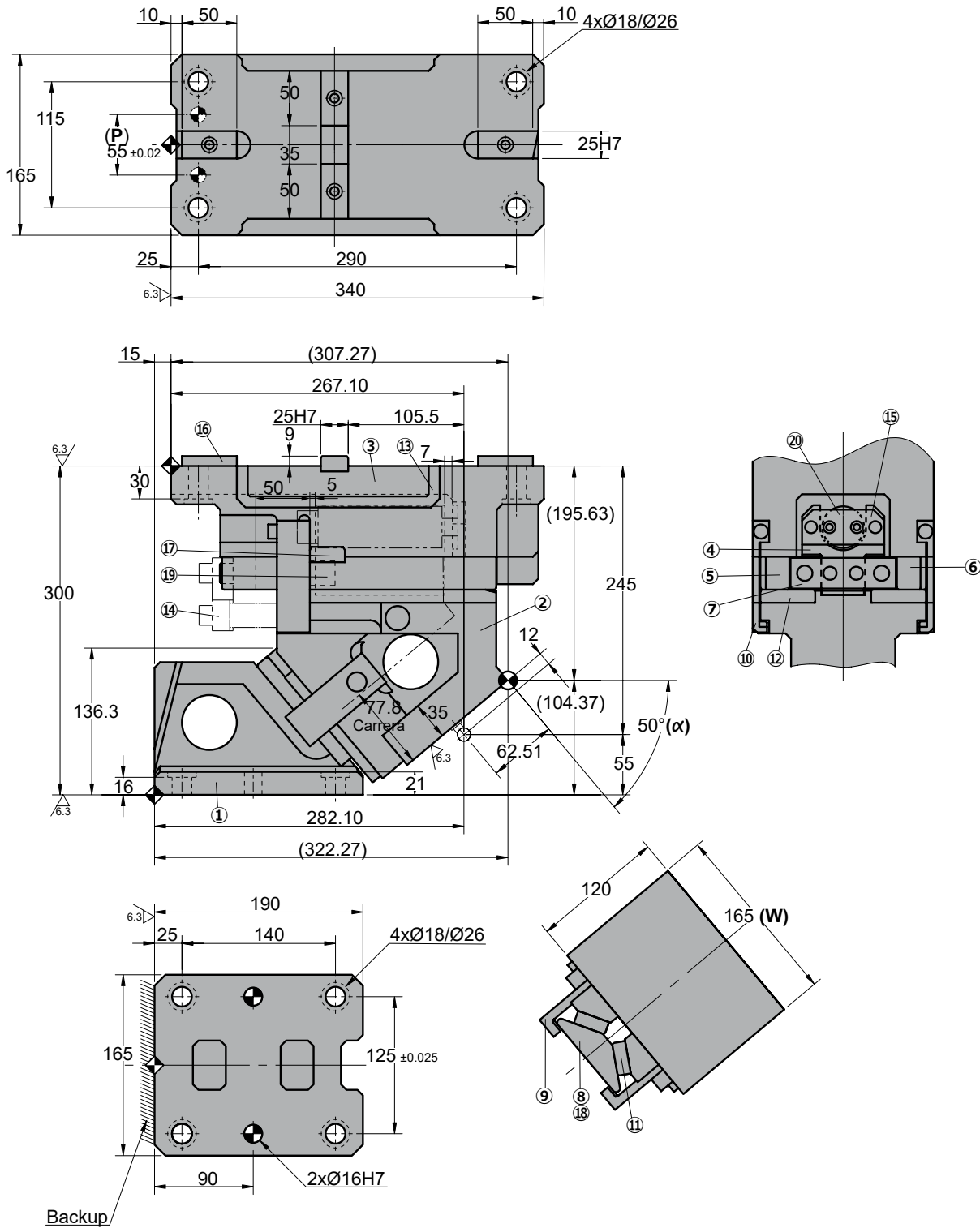
⑳	Gas Spring	1	AG 250 063
---	------------	---	------------

# ANRP 0165

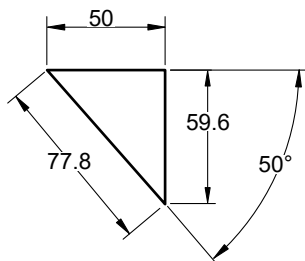
Aerial cam for pierce and flange



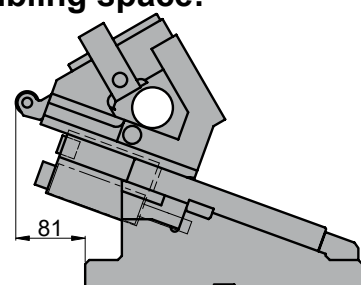
## ANRP 0165 50



◦Cam diagram:



◦Disassembling space:





# ANRP 0165

Aerial cam for pierce and flange

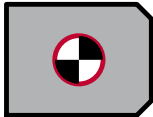

Stroke (mm)	Working force kN - (tons)	Spring Force N - (kgf)		Weight (Kg)	Model	W (mm)	$\alpha$ (mm)
		Initial F <sub>0</sub>	Final F <sub>1</sub>				
77.8	294.2 (30.0)	449.1 (45.8)	2694.0 (274.7)	64.3	ANRP	0165	50
		---	3308.1 (337.3)				



Order: Model (W) ( $\alpha$ )  
**ANRP 0165 50**

Standard order example according to catalog sheet. Add options applying options table contents.

## OPTIONS

	<p><b>P PINS</b></p> <p><b>P 16 - Ø16 H7.</b></p> 
	<p><b>G GAS SPRING</b></p> <p><b>G Gas spring included in the cam</b></p> 

### Order Options: Model (W) ( $\alpha$ )-Option



**ANRP 0165 50-G**  
**ANRP 0165 50-G-P**



### SPARE PARTS:

- ④ Spring Guide
- ⑧ Slide Guide
- ⑫ Slider Plate B
- ⑳ Coil Spring
- ⑳ Gas spring (G)

## COMPONENTS

No.	Description	Qty.	Material
①	Cam Driver	1	GG25
②	Cam Slider	1	GG25
③	Cam Holder	1	GG25
④	Spring Guide	1	Bronze + G
⑤	Base Plate D-R	1	CK45
⑥	Base Plate D-L	1	CK45
⑦	Stopper Plate	1	CK45
⑧	Slide Guide	1	Bronze + G
⑨	Positive Return A	2	CK45
⑩	Positive Return B	2	CK22
⑪	Slider Plate A	2	CK45
⑫	Slider Plate B	2	Bronze

No.	Description	Qty.	Material
⑬	Coil Spring Holder	1	CK45
⑭	Locking plate	1	CK22
⑮	Spring Guide Plate	1	CK22
⑯	Key A	4	CK45
⑰	Key B	2	CK45
⑱	Key C	1	CK45
⑲	Stopper	1	Urethane
⑳	Coil Spring	1	TJM40-178

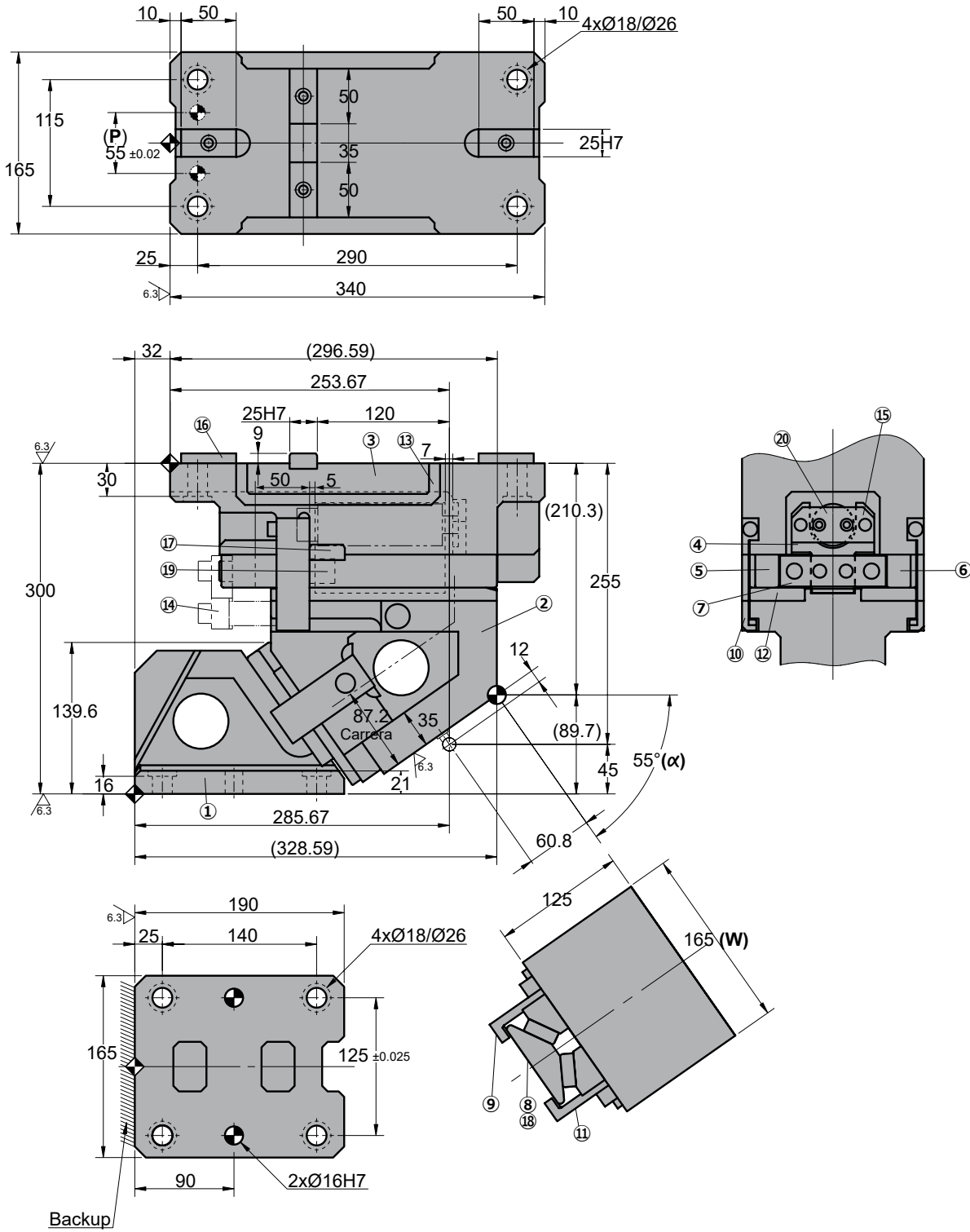
⑳	Gas Spring	1	AG 250 063
---	------------	---	------------

# ANRP 0165

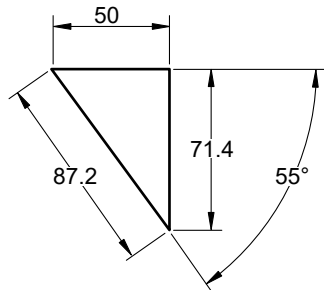
Aerial cam for pierce and flange



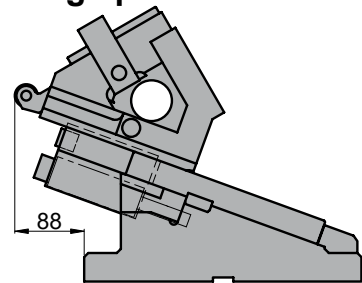
## ANRP 0165 55



### Cam diagram:



### Disassembling space:







# ANRP 0165

Aerial cam for pierce and flange

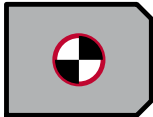

Stroke (mm)	Working force kN - (tons)	Spring Force N - (kgf)		Weight (Kg)	Model	W (mm)	$\alpha$ (mm)
		Initial F <sub>0</sub>	Final F <sub>1</sub>				
87.2	294.2 (30.0)	449.1 (45.8)	2694.0 (274.7)	65.2	ANRP	0165	55
		---	3308.1 (337.3)				



Order: Model (W) ( $\alpha$ )  
**ANRP 0165 55**

Standard order example according to catalog sheet. Add options applying options table contents.

## OPTIONS

	<p><b>P PINS</b></p> <p><b>P 16 - Ø16 H7.</b></p> 
	<p><b>G GAS SPRING</b></p> <p><b>G Gas spring included in the cam</b></p> 

### Order Options: Model (W) ( $\alpha$ )-Option



**ANRP 0165 55-G**  
**ANRP 0165 55-G-P**



### SPARE PARTS:

- ④ Spring Guide
- ⑧ Slide Guide
- ⑫ Slider Plate B
- ⑳ Coil Spring
- ⑳ Gas spring (G)

## COMPONENTS

No.	Description	Qty.	Material
①	Cam Driver	1	GG25
②	Cam Slider	1	GG25
③	Cam Holder	1	GG25
④	Spring Guide	1	Bronze + G
⑤	Base Plate D-R	1	CK45
⑥	Base Plate D-L	1	CK45
⑦	Stopper Plate	1	CK45
⑧	Slide Guide	1	Bronze + G
⑨	Positive Return A	2	CK45
⑩	Positive Return B	2	CK22
⑪	Slider Plate A	2	CK45
⑫	Slider Plate B	2	Bronze

No.	Description	Qty.	Material
⑬	Coil Spring Holder	1	CK45
⑭	Locking plate	1	CK22
⑮	Spring Guide Plate	1	CK22
⑯	Key A	4	CK45
⑰	Key B	2	CK45
⑱	Key C	1	CK45
⑲	Stopper	1	Urethane
⑳	Coil Spring	1	TJM40-178

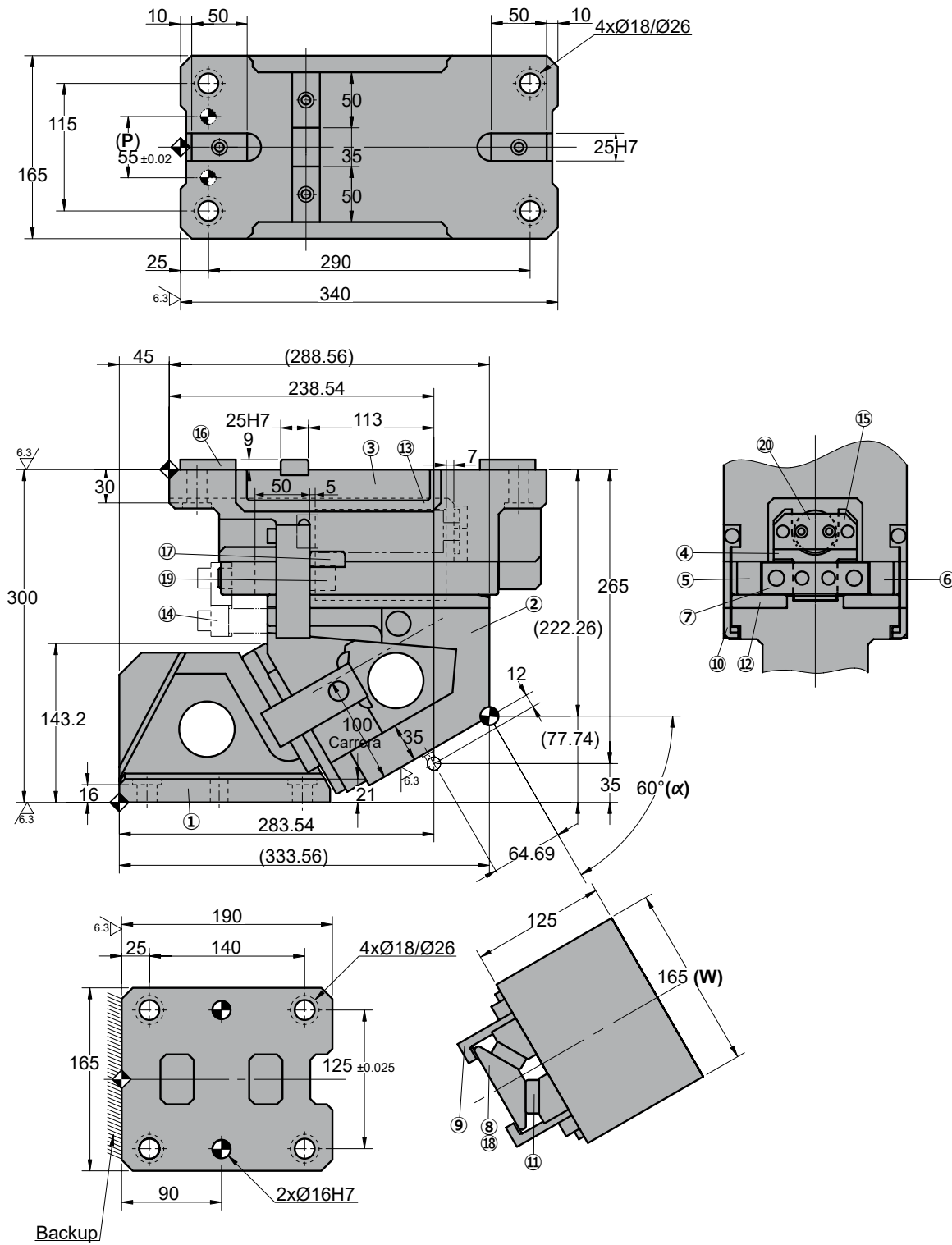
⑳	Gas Spring	1	AG 250 063
---	------------	---	------------

# ANRP 0165

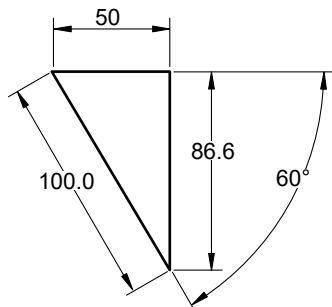
Aerial cam for pierce and flange



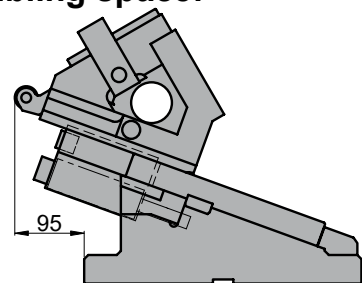
## ANRP 0165 60



### ◦Cam diagram:



### ◦Disassembling space:





# ANRP 0165

Aerial cam for pierce and flange

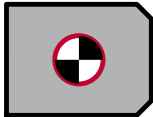

Stroke (mm)	Working force kN - (tons)	Spring Force N - (kgf)		Weight (Kg)	Model	W (mm)	$\alpha$ (mm)
		Initial F <sub>0</sub>	Final F <sub>1</sub>				
100.0	294.2 (30.0)	449.1 (45.8)	2694.0 (274.7)	66.6	ANRP	0165	60
		---	3308.1 (337.3)				



Order: Model (W) ( $\alpha$ )  
**ANRP 0165 60**

Standard order example according to catalog sheet. Add options applying options table contents.

## OPTIONS

	<p><b>P PINS</b></p> <p><b>P 16 - Ø16 H7.</b></p> 
	<p><b>G GAS SPRING</b></p> <p><b>G Gas spring included in the cam</b></p> 

### Order Options: Model (W) ( $\alpha$ )-Option



**ANRP 0165 60-G**  
**ANRP 0165 60-G-P**



### SPARE PARTS:

- ④ Spring Guide
- ⑧ Slide Guide
- ⑫ Slider Plate B
- ⑳ Coil Spring
- ⑳ Gas spring (G)

## COMPONENTS

No.	Description	Qty.	Material
①	Cam Driver	1	GG25
②	Cam Slider	1	GG25
③	Cam Holder	1	GG25
④	Spring Guide	1	Bronze + G
⑤	Base Plate D-R	1	CK45
⑥	Base Plate D-L	1	CK45
⑦	Stopper Plate	1	CK45
⑧	Slide Guide	1	Bronze + G
⑨	Positive Return A	2	CK45
⑩	Positive Return B	2	CK22
⑪	Slider Plate A	2	CK45
⑫	Slider Plate B	2	Bronze

No.	Description	Qty.	Material
⑬	Coil Spring Holder	1	CK45
⑭	Locking plate	1	CK22
⑮	Spring Guide Plate	1	CK22
⑯	Key A	4	CK45
⑰	Key B	2	CK45
⑱	Key C	1	CK45
⑲	Stopper	1	Urethane
⑳	Coil Spring	1	TJM40-178

⑳	Gas Spring	1	AG 250 063
---	------------	---	------------

# ANRP 0165

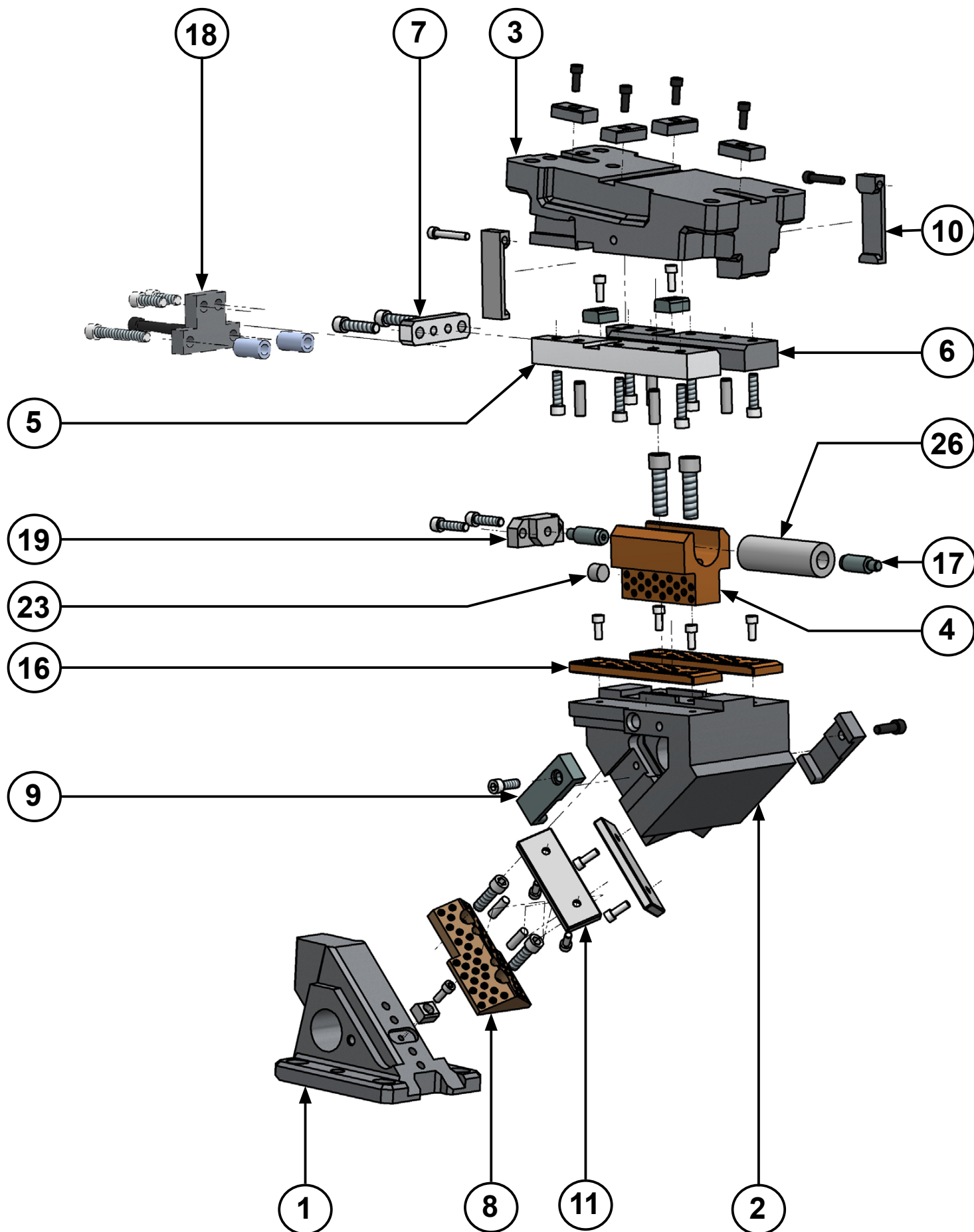


*Aerial cam for pierce and flange*



# ANRP 0200

Aerial cam for pierce and flange

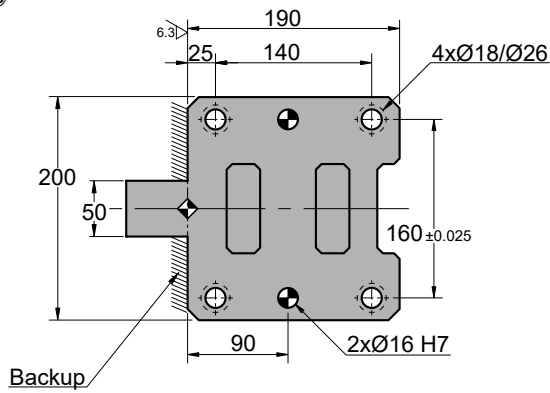
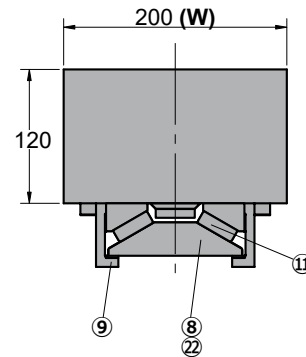
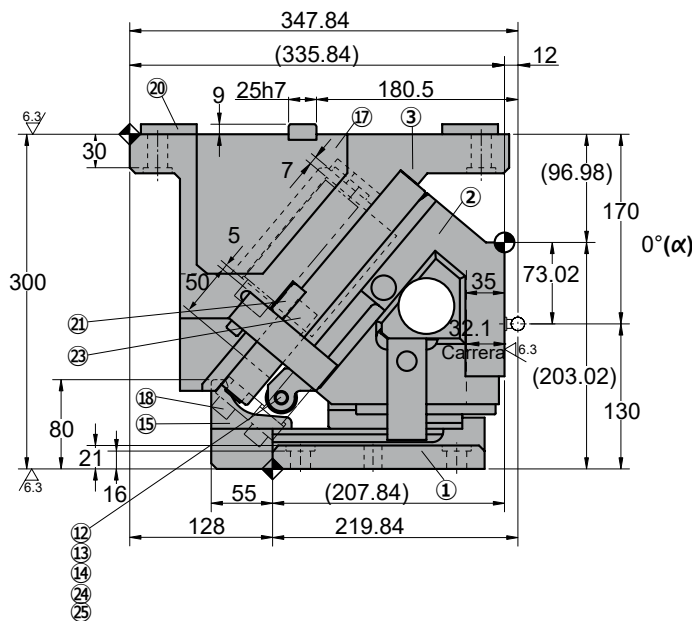
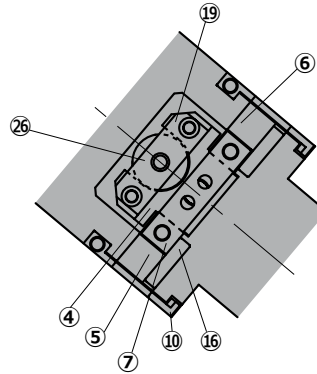
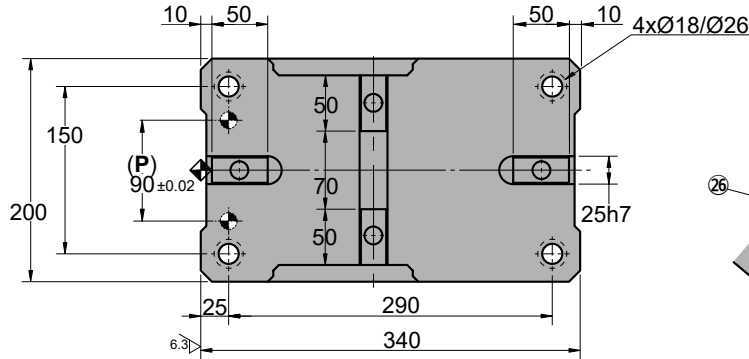


# ANRP 0200

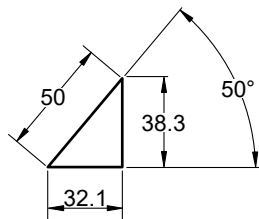
Aerial cam for pierce and flange



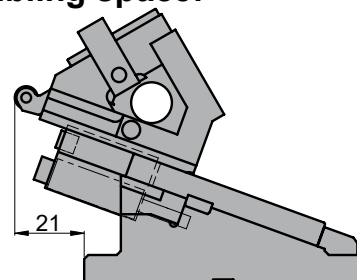
## ANRP 0200 00



◦Cam diagram:



◦Disassembling space:









# ANRP 0200

Aerial cam for pierce and flange



Stroke (mm)	Working force kN - (tons)	Spring Force N - (kgf)		Weight (Kg)	Model	W (mm)	α (mm)
		Initial F <sub>0</sub>	Final F <sub>1</sub>				
32.1	353.0 (36.0)	749.2 (76.4)	4494.0 (458.3)	90.3	ANRP	0200	00
		 ---	 5956.6 (607.4)				



Order: Model (W) (α)  
**ANRP 0200 00**

Standard order example according to catalog sheet. Add options applying options table contents.

## OPTIONS

	<p><b>P PINS</b></p> <p><b>P 16 - Ø16 H7.</b></p> 
	<p><b>G GAS SPRING</b></p> <p><b>G Gas spring included in the cam</b></p> 

### Order Options: Model (W) (α)-Option



**ANRP 0200 00-P**  
**ANRP 0200 00-G-P**



### SPARE PARTS:

- ④ Spring Guidee
- ⑧ Slide Guide
- ⑯ Slider Plate B
- ⑳ Coil Spring
- ㉑ Gas spring (G)

## COMPONENTS

No.	Description	Qty.	Material
①	Cam Driver	1	GG25
②	Cam Slider	1	GG25
③	Cam Holder	1	GG25
④	Spring Guide	1	Bronze + G
⑤	Base Plate D-R	1	CK45
⑥	Base Plate D-L	1	CK45
⑦	Stopper Plate	1	CK45
⑧	Slide Guide	1	Bronze + G
⑨	Positive Return A	2	CK45
⑩	Positive Return B	2	CK22
⑪	Slider Plate	2	CK45
⑫	Bearing	1	CK45
⑬	Bearing Shaft	1	CK45
⑭	Roller Body	1	CK45

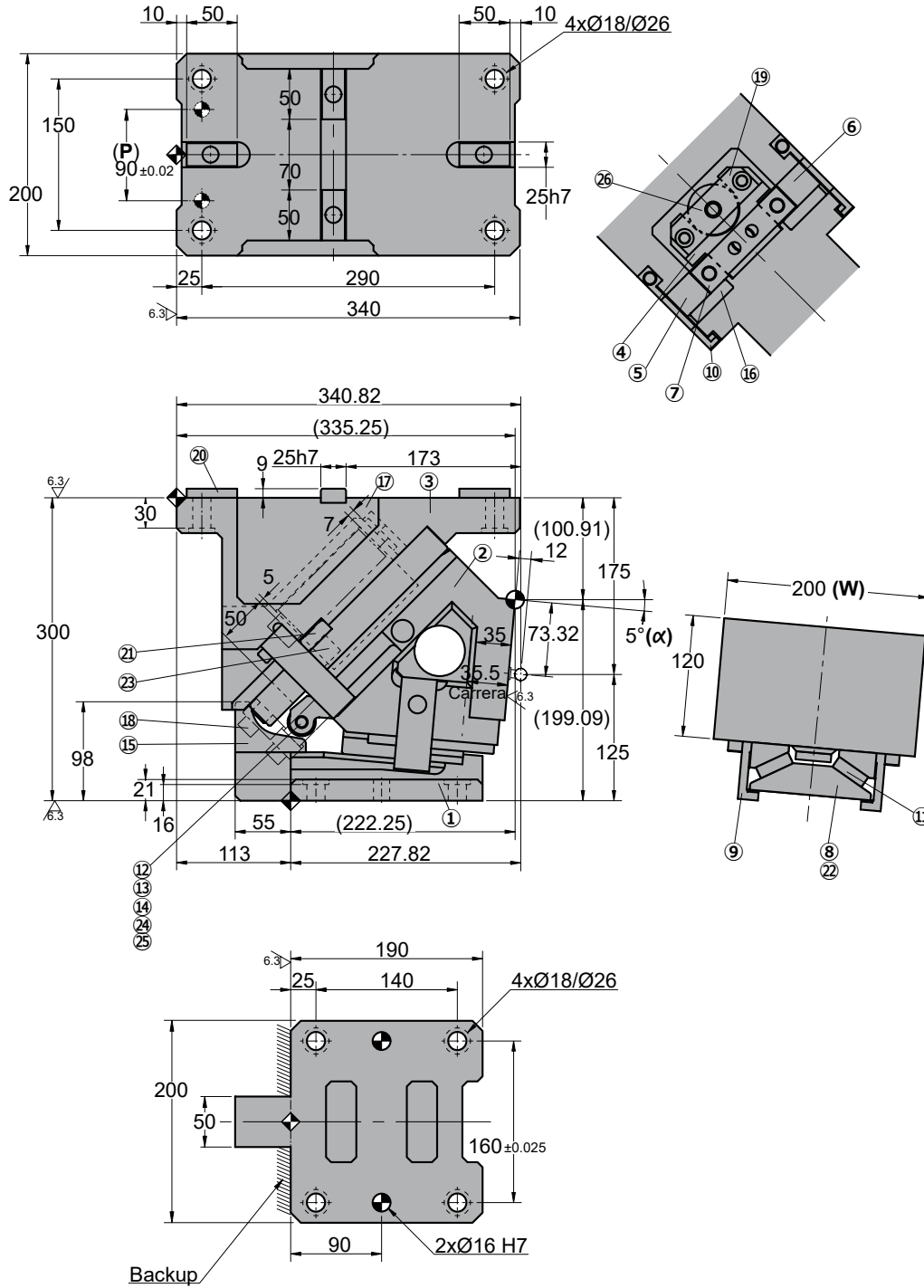
No.	Description	Qty.	Material
⑮	Bearing Guide	1	CK45
⑯	Slider Plate B	2	Bronze
⑰	Coil Spring Holder	1	CK45
⑱	Locking plate	1	CK22
⑲	Spring Guide Plate	1	CK22
⑳	Key	4	CK45
㉑	Key	2	CK45
㉒	Key	1	CK45
㉓	Stopper	1	Urethane
㉔	Bushing	1	Bronze + G
㉕	Elastic Ring	2	Ø9
㉖	Coil Spring	1	TJM50-178
㉖	Gas Spring	1	FD 500 063

# ANRP 0200

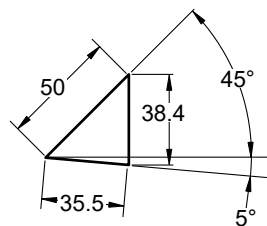
Aerial cam for pierce and flange



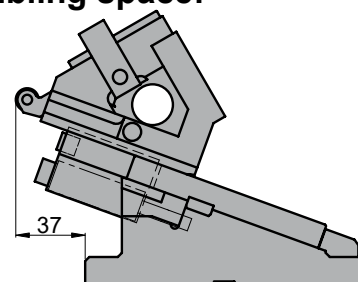
## ANRP 0200 05



### Cam diagram:





### Disassembling space:





# ANRP 0200

Aerial cam for pierce and flange



Stroke (mm)	Working force kN - (tons)	Spring Force N - (kgf)		Weight (Kg)	Model	W (mm)	α (mm)
		Initial F <sub>0</sub>	Final F <sub>1</sub>				
35.5	353.0 (36.0)	749.2 (76.4)	4494.0 (458.3)	88.0	ANRP	0200	05
		 ---	 5956.6 (607.4)				



Order: Model (W) (α)  
**ANRP 0200 05**

Standard order example according to catalog sheet.  
 Add options applying options table contents.

## OPTIONS

	<p><b>P PINS</b></p> <p><b>P 16 - Ø16 H7.</b></p> 
	<p><b>G GAS SPRING</b></p> <p><b>G Gas spring included in the cam</b></p> 

### Order Options: Model (W) (α)-Option



**ANRP 0200 05-P**  
**ANRP 0200 05-G-P**



### SPARE PARTS:

- ④ Spring Guidee
- ⑧ Slide Guide
- ⑯ Slider Plate B
- ⑳ Coil Spring
- ㉑ Gas spring (G)

## COMPONENTS

No.	Description	Qty.	Material
①	Cam Driver	1	GG25
②	Cam Slider	1	GG25
③	Cam Holder	1	GG25
④	Spring Guide	1	Bronze + G
⑤	Base Plate D-R	1	CK45
⑥	Base Plate D-L	1	CK45
⑦	Stopper Plate	1	CK45
⑧	Slide Guide	1	Bronze + G
⑨	Positive Return A	2	CK45
⑩	Positive Return B	2	CK22
⑪	Slider Plate	2	CK45
⑫	Bearing	1	CK45
⑬	Bearing Shaft	1	CK45
⑭	Roller Body	1	CK45

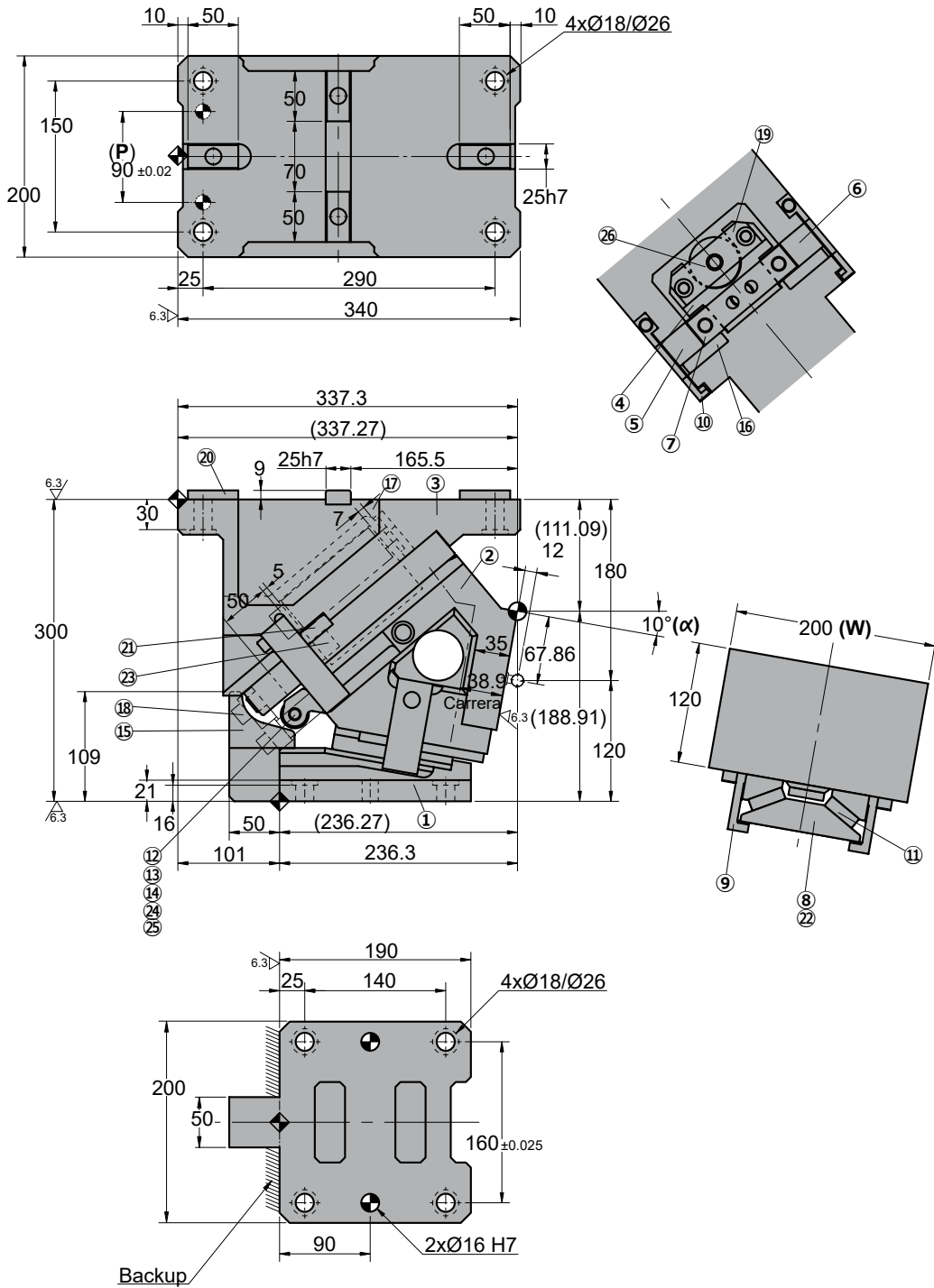
No.	Description	Qty.	Material
⑮	Bearing Guide	1	CK45
⑯	Slider Plate B	2	Bronze
⑰	Coil Spring Holder	1	CK45
⑱	Locking plate	1	CK22
⑲	Spring Guide Plate	1	CK22
⑳	Key	4	CK45
㉑	Key	2	CK45
㉒	Key	1	CK45
㉓	Stopper	1	Urethane
㉔	Bushing	1	Bronze + G
㉕	Elastic Ring	2	Ø9
㉖	Coil Spring	1	TJM50-178
㉗	Gas Spring	1	FD 500 063

# ANRP 0200

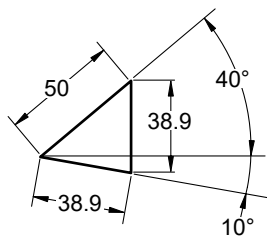
Aerial cam for pierce and flange



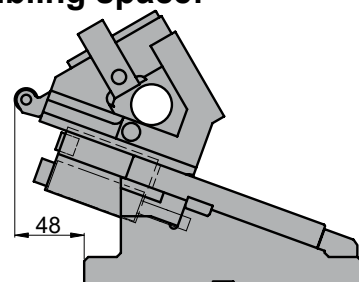
## ANRP 0200 10



### Cam diagram:





### Disassembling space:





# ANRP 0200

Aerial cam for pierce and flange

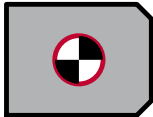

Stroke (mm)	Working force kN - (tons)	Spring Force N - (kgf)		Weight (Kg)	Model	W (mm)	$\alpha$ (mm)
		Initial F <sub>0</sub>	Final F <sub>1</sub>				
38.9	353.0 (36.0)	749.2 (76.4)	4494.0 (458.3)	87.5	ANRP	0200	10
		 ---	 5956.6 (607.4)				



Order: Model (W) ( $\alpha$ )  
**ANRP 0200 10**

Standard order example according to catalog sheet. Add options applying options table contents.

## OPTIONS

	<p><b>P PINS</b></p> <p><b>P 16 - Ø16 H7.</b></p> 
	<p><b>G GAS SPRING</b></p> <p><b>G Gas spring included in the cam</b></p> 

### Order Options: Model (W) ( $\alpha$ )-Option



**ANRP 0200 10-P**  
**ANRP 0200 10-G-P**



### SPARE PARTS:

- ④ Spring Guidee
- ⑧ Slide Guide
- ⑯ Slider Plate B
- ⑳ Coil Spring
- ㉑ Gas spring (G)

## COMPONENTS

No.	Description	Qty.	Material
①	Cam Driver	1	GG25
②	Cam Slider	1	GG25
③	Cam Holder	1	GG25
④	Spring Guide	1	Bronze + G
⑤	Base Plate D-R	1	CK45
⑥	Base Plate D-L	1	CK45
⑦	Stopper Plate	1	CK45
⑧	Slide Guide	1	Bronze + G
⑨	Positive Return A	2	CK45
⑩	Positive Return B	2	CK22
⑪	Slider Plate	2	CK45
⑫	Bearing	1	CK45
⑬	Bearing Shaft	1	CK45
⑭	Roller Body	1	CK45

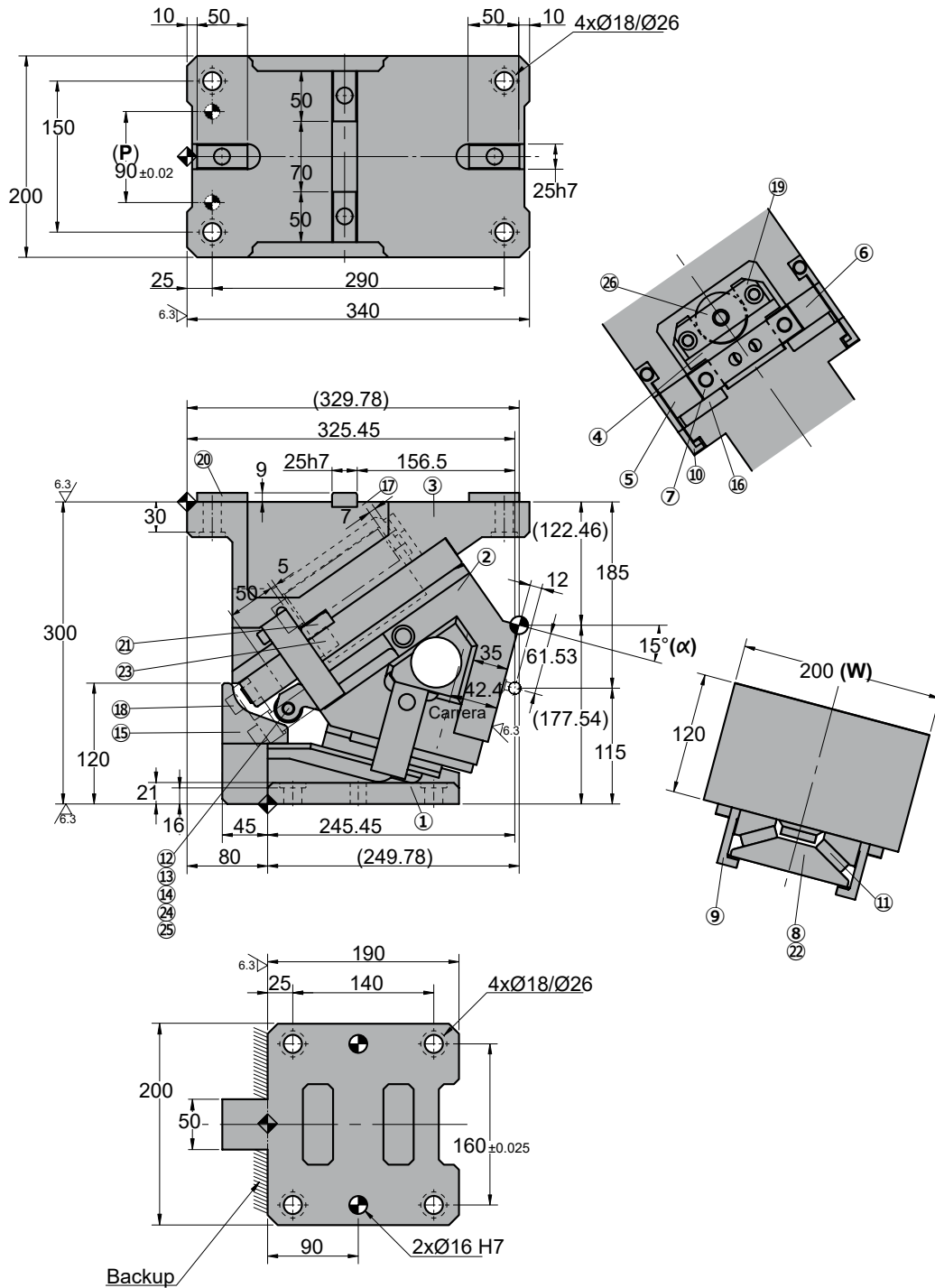
No.	Description	Qty.	Material
⑮	Bearing Guide	1	CK45
⑯	Slider Plate B	2	Bronze
⑰	Coil Spring Holder	1	CK45
⑱	Locking plate	1	CK22
⑲	Spring Guide Plate	1	CK22
⑳	Key	4	CK45
㉑	Key	2	CK45
㉒	Key	1	CK45
㉓	Stopper	1	Urethane
㉔	Bushing	1	Bronze + G
㉕	Elastic Ring	2	Ø9
㉖	Coil Spring	1	TJM50-178
㉖	Gas Spring	1	FD 500 063

# ANRP 0200

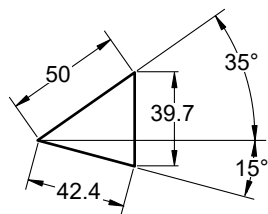
Aerial cam for pierce and flange



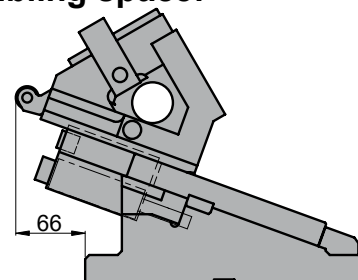
## ANRP 0200 15



◦Cam diagram:





◦Disassembling space:





# ANRP 0200

Aerial cam for pierce and flange



Stroke (mm)	Working force kN - (tons)	Spring Force N - (kgf)		Weight (Kg)	Model	W (mm)	$\alpha$ (mm)
		Initial F <sub>0</sub>	Final F <sub>1</sub>				
42.4	353.0 (36.0)	749.2 (76.4)	4494.0 (458.3)	87.0	ANRP	0200	15
		 ---	 5956.6 (607.4)				



Order: Model (W) ( $\alpha$ )  
**ANRP 0200 15**

Standard order example according to catalog sheet. Add options applying options table contents.

## OPTIONS

	<p><b>P PINS</b></p> <p><b>P 16 - Ø16 H7.</b></p> 
	<p><b>G GAS SPRING</b></p> <p><b>G Gas spring included in the cam</b></p> 

### Order Options: Model (W) ( $\alpha$ )-Option



**ANRP 0200 15-P**  
**ANRP 0200 15-G-P**



### SPARE PARTS:

- ④ Spring Guidee
- ⑧ Slide Guide
- ⑯ Slider Plate B
- ⑳ Coil Spring
- ㉑ Gas spring (G)

## COMPONENTS

No.	Description	Qty.	Material
①	Cam Driver	1	GG25
②	Cam Slider	1	GG25
③	Cam Holder	1	GG25
④	Spring Guide	1	Bronze + G
⑤	Base Plate D-R	1	CK45
⑥	Base Plate D-L	1	CK45
⑦	Stopper Plate	1	CK45
⑧	Slide Guide	1	Bronze + G
⑨	Positive Return A	2	CK45
⑩	Positive Return B	2	CK22
⑪	Slider Plate	2	CK45
⑫	Bearing	1	CK45
⑬	Bearing Shaft	1	CK45
⑭	Roller Body	1	CK45

No.	Description	Qty.	Material
⑮	Bearing Guide	1	CK45
⑯	Slider Plate B	2	Bronze
⑰	Coil Spring Holder	1	CK45
⑱	Locking plate	1	CK22
⑲	Spring Guide Plate	1	CK22
⑳	Key	4	CK45
㉑	Key	2	CK45
㉒	Key	1	CK45
㉓	Stopper	1	Urethane
㉔	Bushing	1	Bronze + G
㉕	Elastic Ring	2	Ø9
㉖	Coil Spring	1	TJM50-178
㉗	Gas Spring	1	FD 500 063

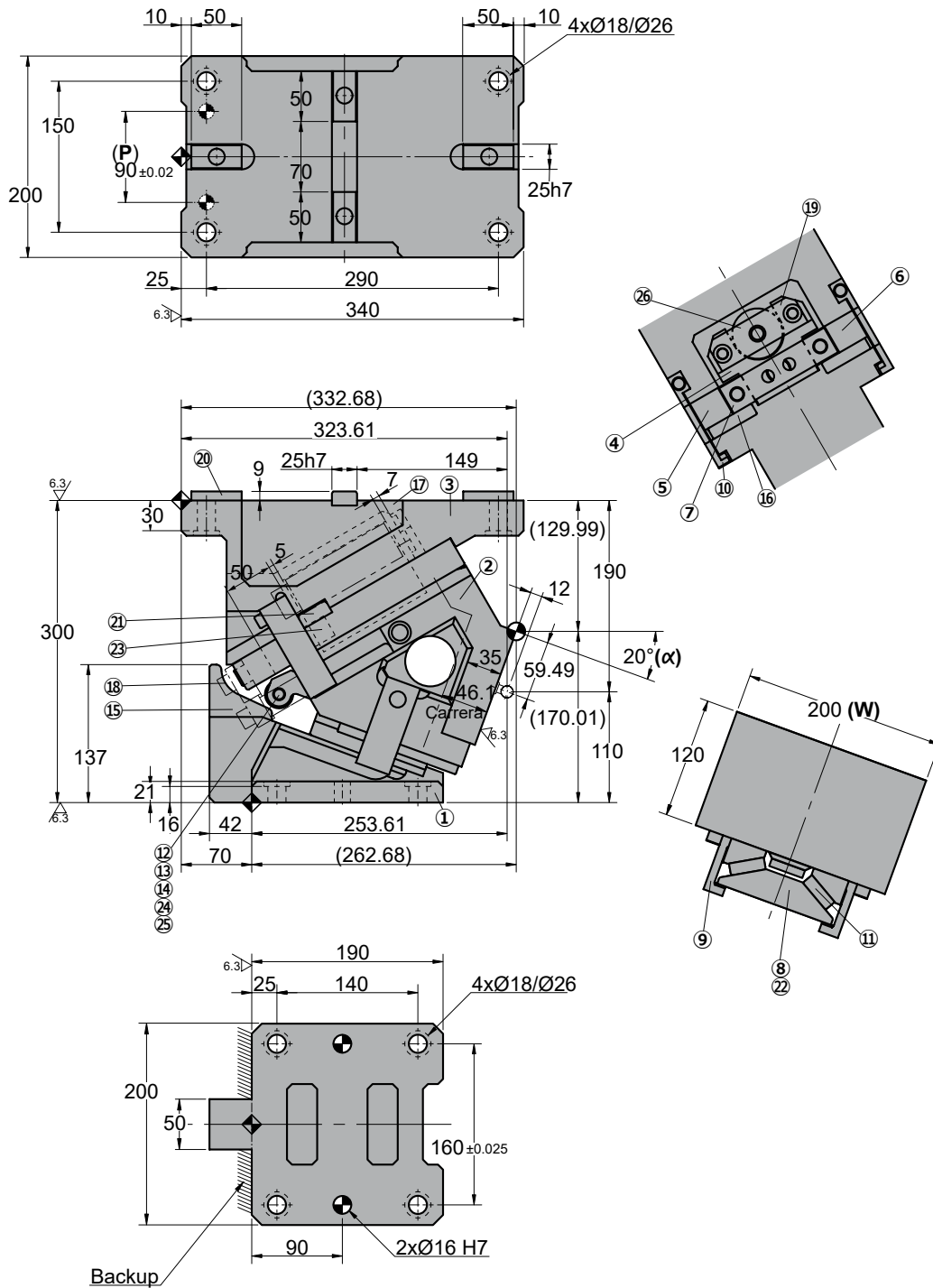


# ANRP 0200

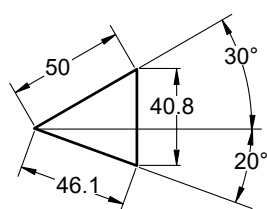
Aerial cam for pierce and flange



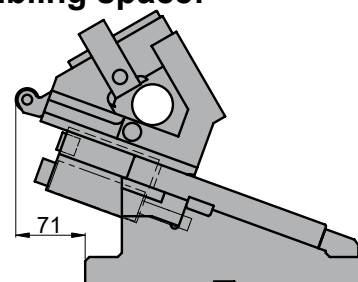
## ANRP 0200 20



### Cam diagram:





### Disassembling space:





# ANRP 0200

Aerial cam for pierce and flange

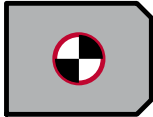

Stroke (mm)	Working force kN - (tons)	Spring Force N - (kgf)		Weight (Kg)	Model	W (mm)	α (mm)
		Initial F <sub>0</sub>	Final F <sub>1</sub>				
46.1	353.0 (36.0)	749.2 (76.4)	4494.0 (458.3)	85.8	ANRP	0200	20
		 ---	 5956.6 (607.4)				



Order: Model (W) (α)  
**ANRP 0200 20**

Standard order example according to catalog sheet. Add options applying options table contents.

## OPTIONS

	<p><b>P PINS</b></p> <p><b>P 16 - Ø16 H7.</b></p> 
	<p><b>G GAS SPRING</b></p> <p><b>G Gas spring included in the cam</b></p> 

### Order Options: Model (W) (α)-Option



**ANRP 0200 20-P**  
**ANRP 0200 20-G-P**



### SPARE PARTS:

- ④ Spring Guidee
- ⑧ Slide Guide
- ⑯ Slider Plate B
- ⑳ Coil Spring
- ㉑ Gas spring (G)

## COMPONENTS

No.	Description	Qty.	Material
①	Cam Driver	1	GG25
②	Cam Slider	1	GG25
③	Cam Holder	1	GG25
④	Spring Guide	1	Bronze + G
⑤	Base Plate D-R	1	CK45
⑥	Base Plate D-L	1	CK45
⑦	Stopper Plate	1	CK45
⑧	Slide Guide	1	Bronze + G
⑨	Positive Return A	2	CK45
⑩	Positive Return B	2	CK22
⑪	Slider Plate	2	CK45
⑫	Bearing	1	CK45
⑬	Bearing Shaft	1	CK45
⑭	Roller Body	1	CK45

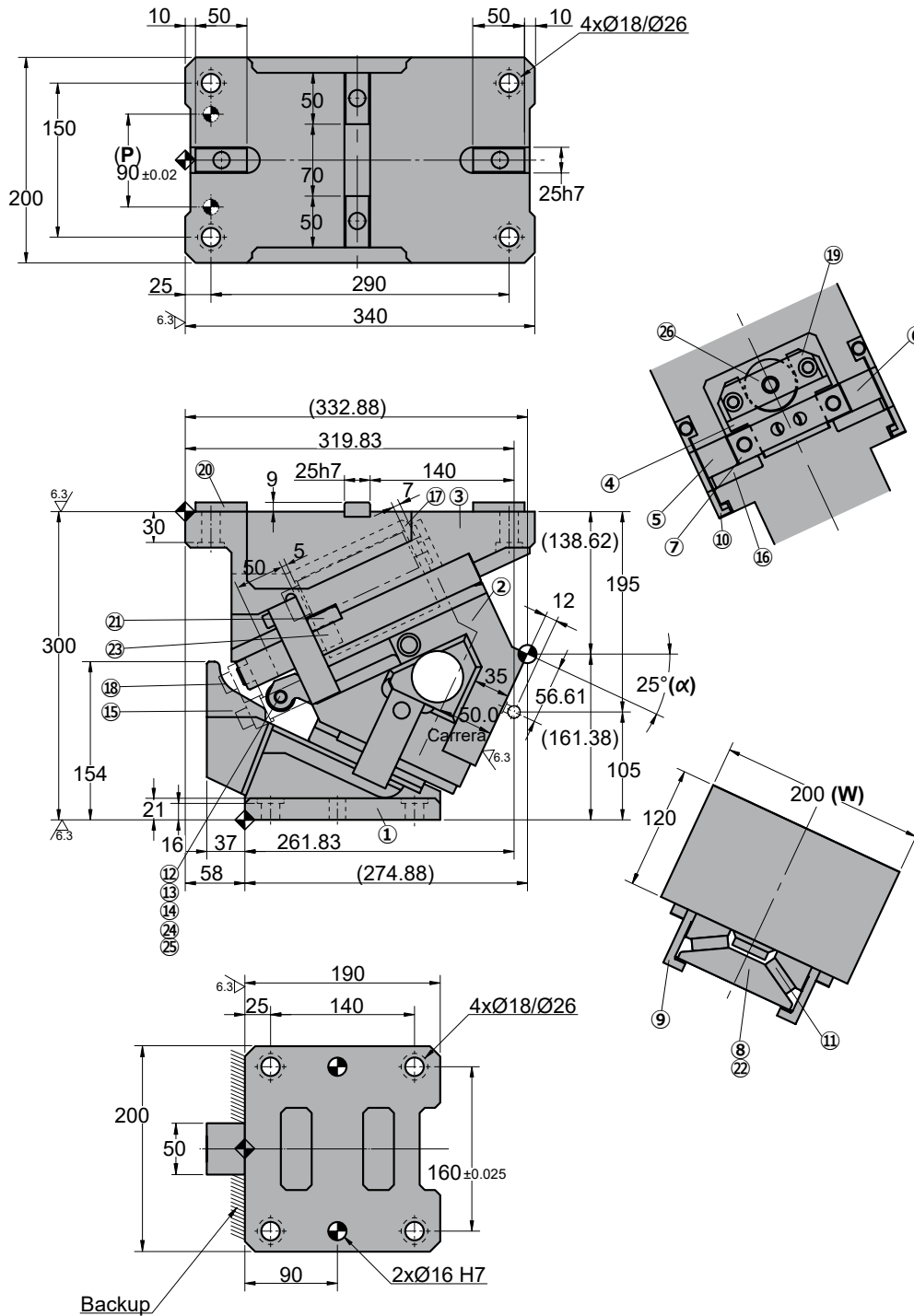
No.	Description	Qty.	Material
⑮	Bearing Guide	1	CK45
⑯	Slider Plate B	2	Bronze
⑰	Coil Spring Holder	1	CK45
⑱	Locking plate	1	CK22
⑲	Spring Guide Plate	1	CK22
⑳	Key	4	CK45
㉑	Key	2	CK45
㉒	Key	1	CK45
㉓	Stopper	1	Urethane
㉔	Bushing	1	Bronze + G
㉕	Elastic Ring	2	Ø9
㉖	Coil Spring	1	TJM50-178
㉗	Gas Spring	1	FD 500 063

# ANRP 0200

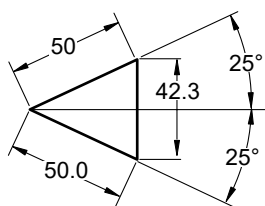
Aerial cam for pierce and flange



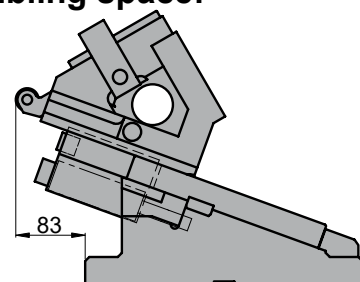
## ANRP 0200 25



◦Cam diagram:





◦Disassembling space:





# ANRP 0200

Aerial cam for pierce and flange



Stroke (mm)	Working force kN - (tons)	Spring Force N - (kgf)		Weight (Kg)	Model	W (mm)	$\alpha$ (mm)
		Initial F <sub>0</sub>	Final F <sub>1</sub>				
50.0	353.0 (36.0)	749.2 (76.4)	4494.0 (458.3)	86.2	ANRP	0200	25
		 ---	 5956.6 (607.4)				



Order: Model (W) ( $\alpha$ )  
**ANRP 0200 25**

Standard order example according to catalog sheet.  
 Add options applying options table contents.

## OPTIONS

	<p><b>P PINS</b></p> <p><b>P 16 - Ø16 H7.</b></p> 
	<p><b>G GAS SPRING</b></p> <p><b>G Gas spring included in the cam</b></p> 

### Order Options: Model (W) ( $\alpha$ )-Option



**ANRP 0200 25-P**  
**ANRP 0200 25-G-P**



### SPARE PARTS:

- ④ Spring Guidee
- ⑧ Slide Guide
- ⑯ Slider Plate B
- ⑳ Coil Spring
- ㉑ Gas spring (G)

## COMPONENTS

No.	Description	Qty.	Material
①	Cam Driver	1	GG25
②	Cam Slider	1	GG25
③	Cam Holder	1	GG25
④	Spring Guide	1	Bronze + G
⑤	Base Plate D-R	1	CK45
⑥	Base Plate D-L	1	CK45
⑦	Stopper Plate	1	CK45
⑧	Slide Guide	1	Bronze + G
⑨	Positive Return A	2	CK45
⑩	Positive Return B	2	CK22
⑪	Slider Plate	2	CK45
⑫	Bearing	1	CK45
⑬	Bearing Shaft	1	CK45
⑭	Roller Body	1	CK45

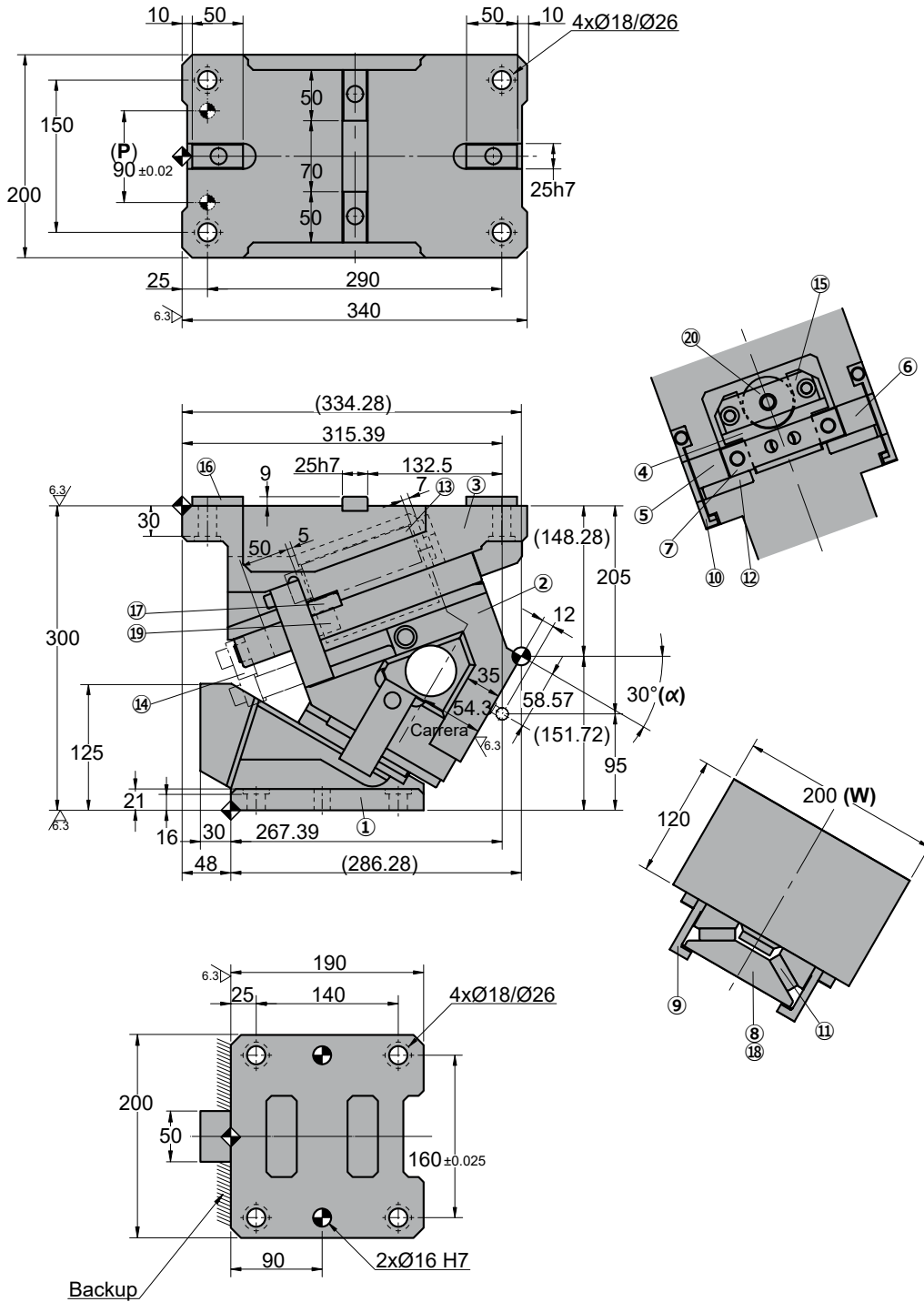
No.	Description	Qty.	Material
⑮	Bearing Guide	1	CK45
⑯	Slider Plate B	2	Bronze
⑰	Coil Spring Holder	1	CK45
⑱	Locking plate	1	CK22
⑲	Spring Guide Plate	1	CK22
⑳	Key	4	CK45
㉑	Key	2	CK45
㉒	Key	1	CK45
㉓	Stopper	1	Urethane
㉔	Bushing	1	Bronze + G
㉕	Elastic Ring	2	Ø9
㉖	Coil Spring	1	TJM50-178
㉖	Gas Spring	1	FD 500 063

# ANRP 0200

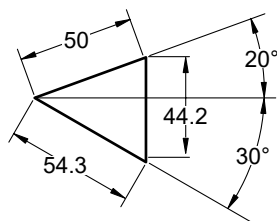
Aerial cam for pierce and flange



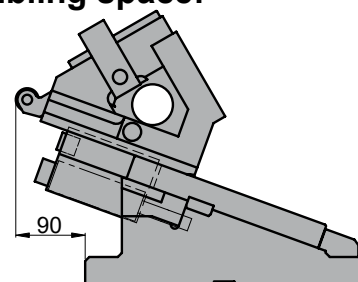
## ANRP 0200 30



◦Cam diagram:





◦Disassembling space:





# ANRP 0200

Aerial cam for pierce and flange



Stroke (mm)	Working force kN - (tons)	Spring Force N - (kgf)		Weight (Kg)	Model	W (mm)	$\alpha$ (mm)
		Initial F <sub>0</sub>	Final F <sub>1</sub>				
54.3	353.0 (36.0)	749.2 (76.4)	4494.0 (458.3)	85.6	ANRP	0200	30
		 ---	 5956.6 (607.4)				



Order: Model (W) ( $\alpha$ )  
**ANRP 0200 30**

Standard order example according to catalog sheet. Add options applying options table contents.

## OPTIONS

	<p><b>P PINS</b></p> <p><b>P 16 - Ø16 H7.</b></p> 
	<p><b>G GAS SPRING</b></p> <p><b>G Gas spring included in the cam</b></p> 

### Order Options: Model (W) ( $\alpha$ )-Option



**ANRP 0200 30-P**  
**ANRP 0200 30-G-P**



### SPARE PARTS:

- ④ Spring Guidee
- ⑧ Slide Guide
- ⑫ Slider Plate B
- ⑳ Coil Spring
- ⑳ Gas spring (G)

## COMPONENTS

No.	Description	Qty.	Material
①	Cam Driver	1	GG25
②	Cam Slider	1	GG25
③	Cam Holder	1	GG25
④	Spring Guide	1	Bronze + G
⑤	Base Plate D-R	1	CK45
⑥	Base Plate D-L	1	CK45
⑦	Stopper Plate	1	CK45
⑧	Slide Guide	1	Bronze + G
⑨	Positive Return A	2	CK45
⑩	Positive Return B	2	CK22
⑪	Slider Plate	2	CK45
⑫	Slider Plate B	2	Bronze

No.	Description	Qty.	Material
⑬	Coil Spring Holder	1	CK45
⑭	Locking plate	1	CK22
⑮	Spring Guide Plate	1	CK22
⑯	Key	4	CK45
⑰	Key	2	CK45
⑱	Key	1	CK45
⑲	Stopper	1	Urethane
⑳	Coil Spring	1	TJM50-178

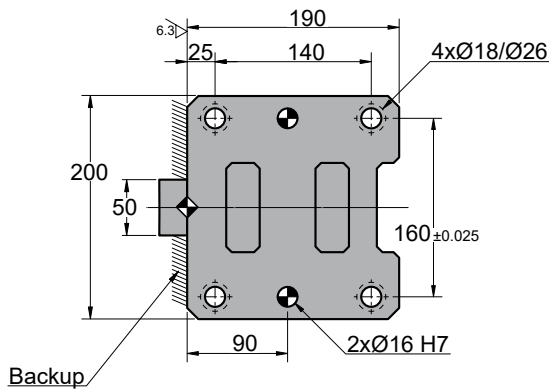
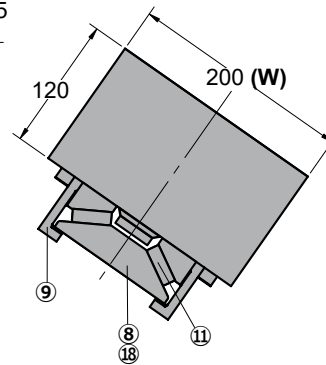
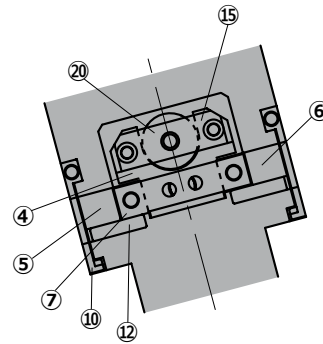
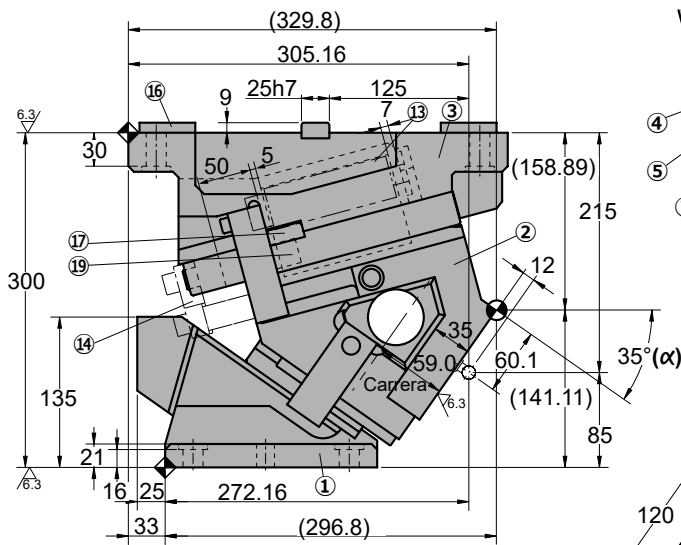
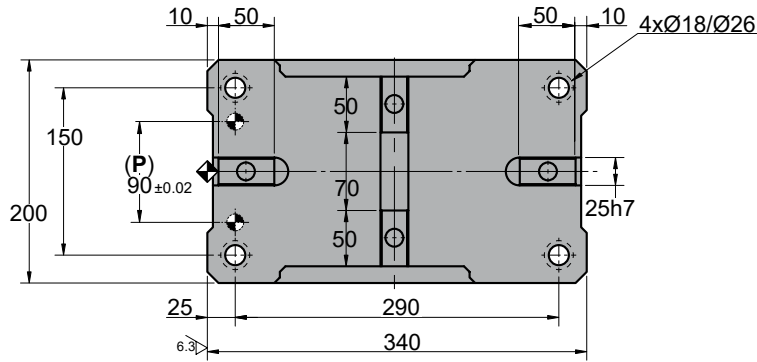
⑳	Gas Spring	1	FD 500 063
---	------------	---	------------

# ANRP 0200

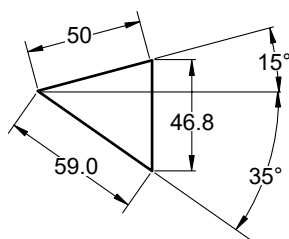
Aerial cam for pierce and flange



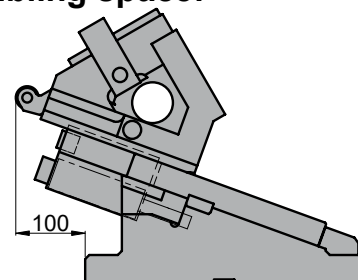
## ANRP 0200 35



### Cam diagram:



### Disassembling space:









# ANRP 0200

Aerial cam for pierce and flange

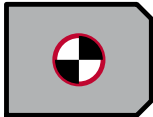

Stroke (mm)	Working force kN - (tons)	Spring Force N - (kgf)		Weight (Kg)	Model	W (mm)	$\alpha$ (mm)
		Initial F <sub>0</sub>	Final F <sub>1</sub>				
59.0	353.0 (36.0)	749.2 (76.4)	4494.0 (458.3)	86.2	ANRP	0200	35
		 ---	 5956.6 (607.4)				



Order: Model (W) ( $\alpha$ )  
**ANRP 0200 35**

Standard order example according to catalog sheet. Add options applying options table contents.

## OPTIONS

	<p><b>P PINS</b></p> <p><b>P 16 - Ø16 H7.</b></p> 
	<p><b>G GAS SPRING</b></p> <p><b>G Gas spring included in the cam</b></p> 

### Order Options: Model (W) ( $\alpha$ )-Option



**ANRP 0200 35-P**  
**ANRP 0200 35-G-P**



### SPARE PARTS:

- ④ Spring Guidee
- ⑧ Slide Guide
- ⑫ Slider Plate B
- ⑳ Coil Spring
- ⑳ Gas spring (G)

## COMPONENTS

No.	Description	Qty.	Material
①	Cam Driver	1	GG25
②	Cam Slider	1	GG25
③	Cam Holder	1	GG25
④	Spring Guide	1	Bronze + G
⑤	Base Plate D-R	1	CK45
⑥	Base Plate D-L	1	CK45
⑦	Stopper Plate	1	CK45
⑧	Slide Guide	1	Bronze + G
⑨	Positive Return A	2	CK45
⑩	Positive Return B	2	CK22
⑪	Slider Plate	2	CK45
⑫	Slider Plate B	2	Bronze

No.	Description	Qty.	Material
⑬	Coil Spring Holder	1	CK45
⑭	Locking plate	1	CK22
⑮	Spring Guide Plate	1	CK22
⑯	Key	4	CK45
⑰	Key	2	CK45
⑱	Key	1	CK45
⑲	Stopper	1	Urethane
⑳	Coil Spring	1	TJM50-178

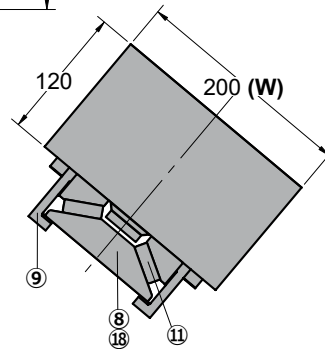
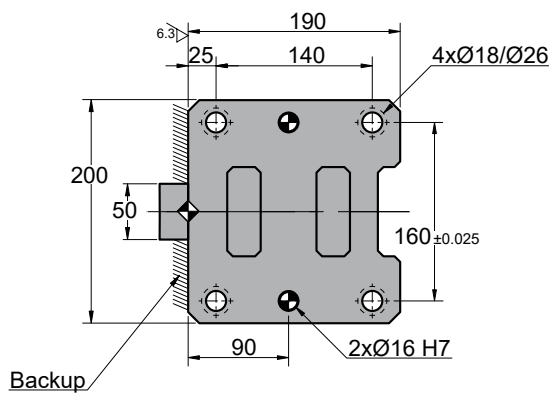
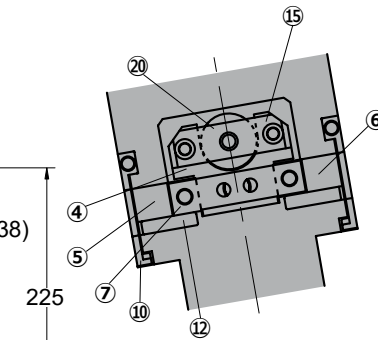
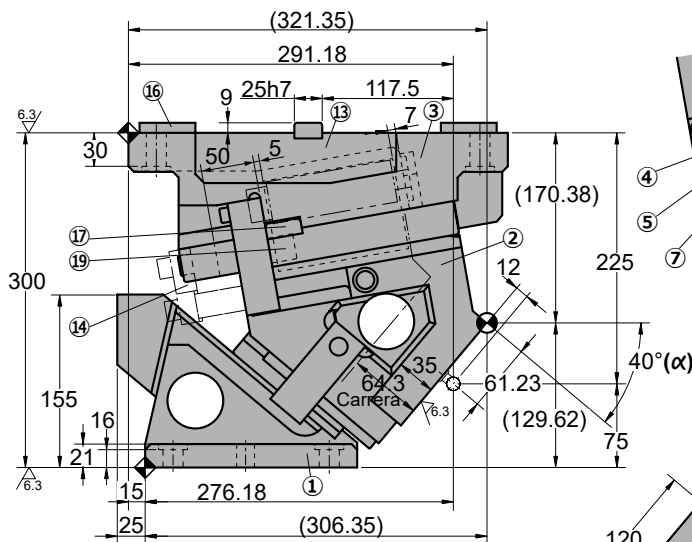
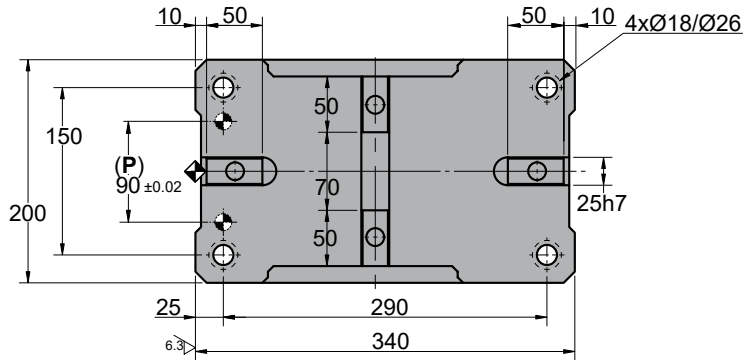
⑳	Gas Spring	1	FD 500 063
---	------------	---	------------

# ANRP 0200

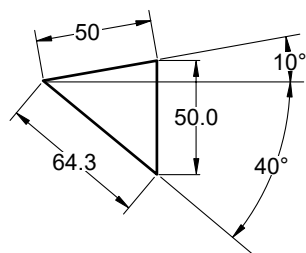
Aerial cam for pierce and flange



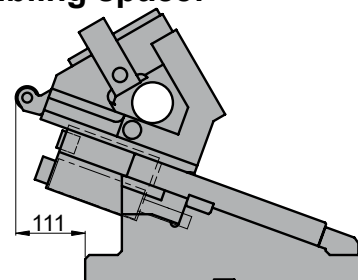
## ANRP 0200 40



### Cam diagram:





### Disassembling space:





# ANRP 0200

Aerial cam for pierce and flange



Stroke (mm)	Working force kN - (tons)	Spring Force N - (kgf)		Weight (Kg)	Model	W (mm)	$\alpha$ (mm)
		Initial F <sub>0</sub>	Final F <sub>1</sub>				
64.3	353.0 (36.0)	749.2 (76.4)	4494.0 (458.3)	86.6	ANRP	0200	40
		 ---	 5956.6 (607.4)				



Order: Model (W) ( $\alpha$ )  
**ANRP 0200 40**

Standard order example according to catalog sheet. Add options applying options table contents.

## OPTIONS

	<p><b>P PINS</b></p> <p><b>P 16 - Ø16 H7.</b></p> 
	<p><b>G GAS SPRING</b></p> <p><b>G Gas spring included in the cam</b></p> 

### Order Options: Model (W) ( $\alpha$ )-Option



**ANRP 0200 40-P**  
**ANRP 0200 40-G-P**



### SPARE PARTS:

- ④ Spring Guidee
- ⑧ Slide Guide
- ⑫ Slider Plate B
- ⑳ Coil Spring
- ⑳ Gas spring (G)

## COMPONENTS

No.	Description	Qty.	Material
①	Cam Driver	1	GG25
②	Cam Slider	1	GG25
③	Cam Holder	1	GG25
④	Spring Guide	1	Bronze + G
⑤	Base Plate D-R	1	CK45
⑥	Base Plate D-L	1	CK45
⑦	Stopper Plate	1	CK45
⑧	Slide Guide	1	Bronze + G
⑨	Positive Return A	2	CK45
⑩	Positive Return B	2	CK22
⑪	Slider Plate	2	CK45
⑫	Slider Plate B	2	Bronze

No.	Description	Qty.	Material
⑬	Coil Spring Holder	1	CK45
⑭	Locking plate	1	CK22
⑮	Spring Guide Plate	1	CK22
⑯	Key	4	CK45
⑰	Key	2	CK45
⑱	Key	1	CK45
⑲	Stopper	1	Urethane
⑳	Coil Spring	1	TJM50-178

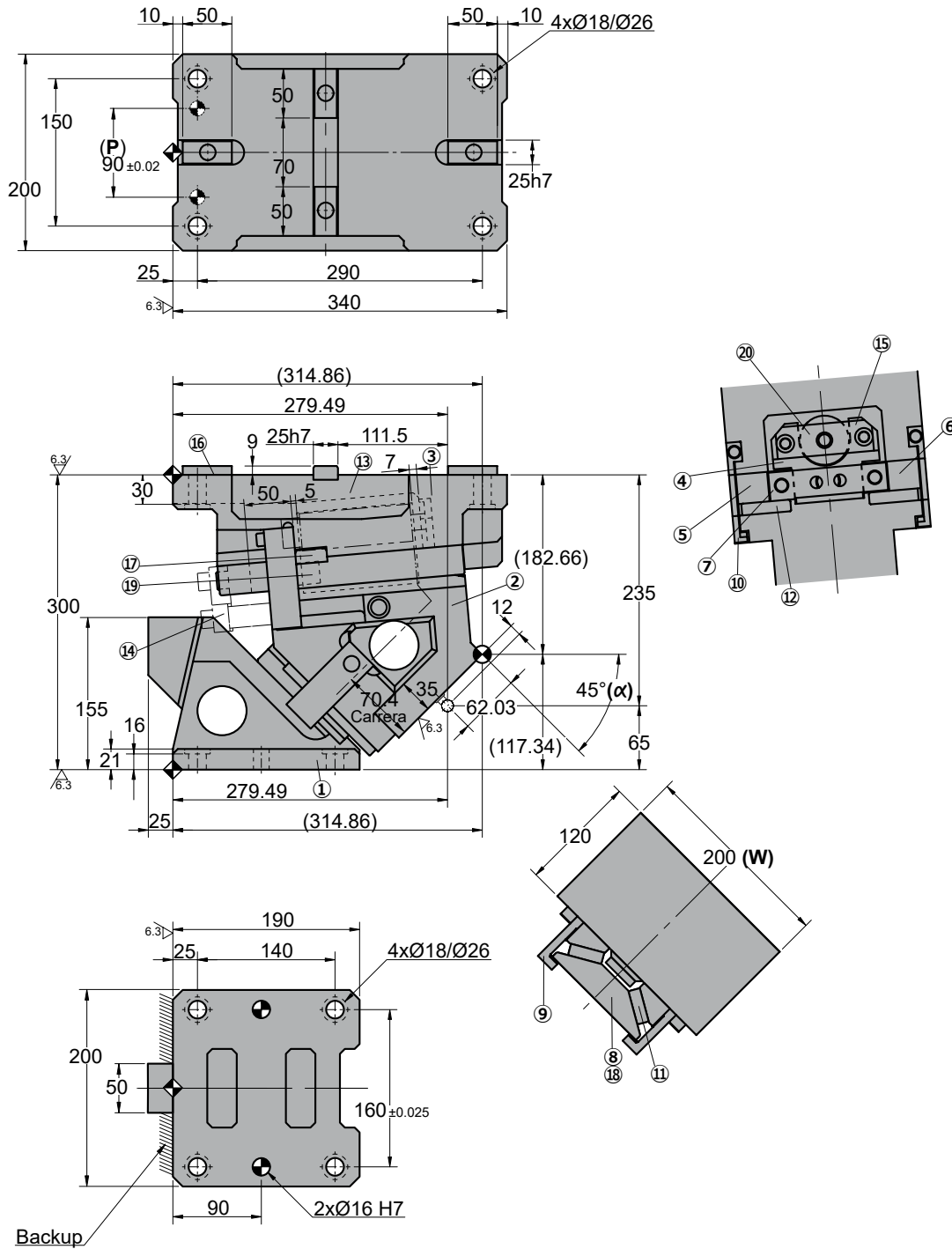
⑳	Gas Spring	1	FD 500 063
---	------------	---	------------

# ANRP 0200

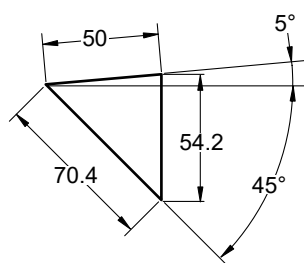
Aerial cam for pierce and flange



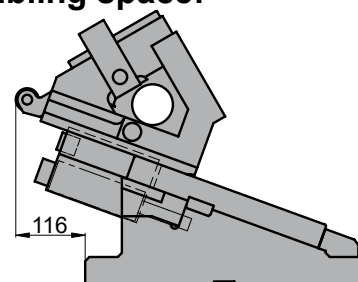
## ANRP 0200 45



◦Cam diagram:





◦Disassembling space:





# ANRP 0200

Aerial cam for pierce and flange

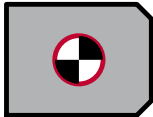

Stroke (mm)	Working force kN - (tons)	Spring Force N - (kgf)		Weight (Kg)	Model	W (mm)	$\alpha$ (mm)
		Initial F <sub>0</sub>	Final F <sub>1</sub>				
70.4	353.0 (36.0)	749.2 (76.4)	4494.0 (458.3)	88.0	ANRP	0200	45
		 ---	 5956.6 (607.4)				



Order: Model (W) ( $\alpha$ )  
**ANRP 0200 45**

Standard order example according to catalog sheet. Add options applying options table contents.

## OPTIONS

	<p><b>P PINS</b></p> <p><b>P 16 - Ø16 H7.</b></p> 
	<p><b>G GAS SPRING</b></p> <p><b>G Gas spring included in the cam</b></p> 

### Order Options: Model (W) ( $\alpha$ )-Option



**ANRP 0200 45-P**  
**ANRP 0200 45-G-P**



### SPARE PARTS:

- ④ Spring Guidee
- ⑧ Slide Guide
- ⑫ Slider Plate B
- ⑳ Coil Spring
- ⑳ Gas spring (G)

## COMPONENTS

No.	Description	Qty.	Material
①	Cam Driver	1	GG25
②	Cam Slider	1	GG25
③	Cam Holder	1	GG25
④	Spring Guide	1	Bronze + G
⑤	Base Plate D-R	1	CK45
⑥	Base Plate D-L	1	CK45
⑦	Stopper Plate	1	CK45
⑧	Slide Guide	1	Bronze + G
⑨	Positive Return A	2	CK45
⑩	Positive Return B	2	CK22
⑪	Slider Plate	2	CK45
⑫	Slider Plate B	2	Bronze

No.	Description	Qty.	Material
⑬	Coil Spring Holder	1	CK45
⑭	Locking plate	1	CK22
⑮	Spring Guide Plate	1	CK22
⑯	Key	4	CK45
⑰	Key	2	CK45
⑱	Key	1	CK45
⑲	Stopper	1	Urethane
⑳	Coil Spring	1	TJM50-178

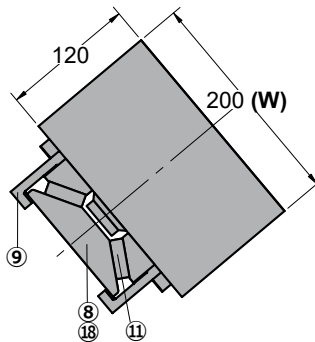
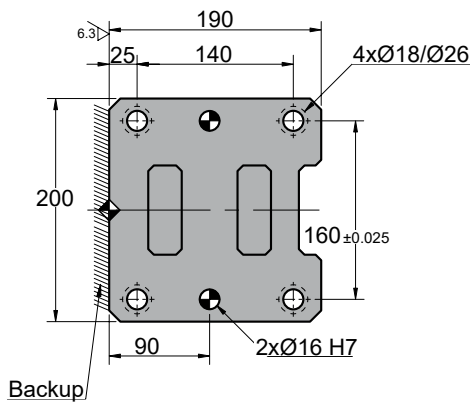
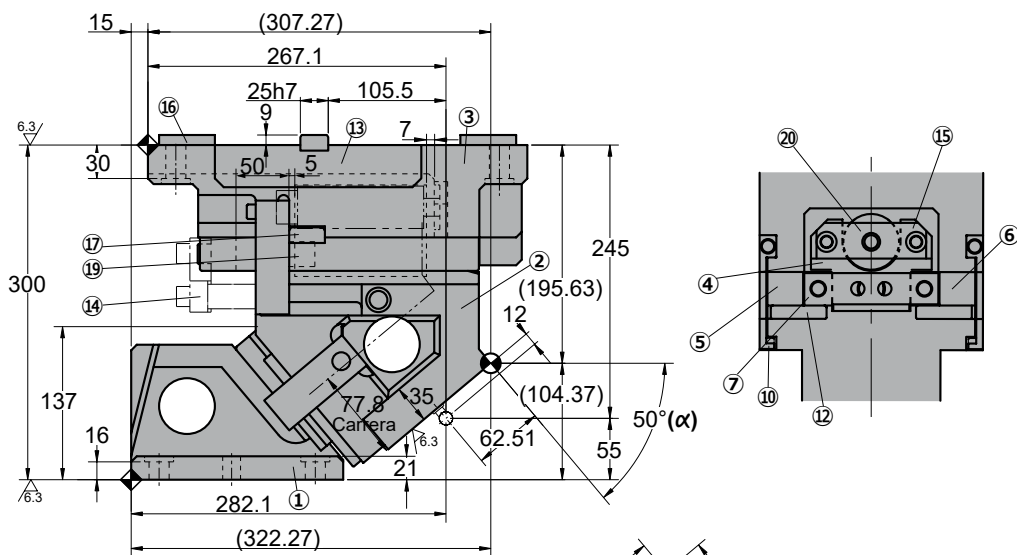
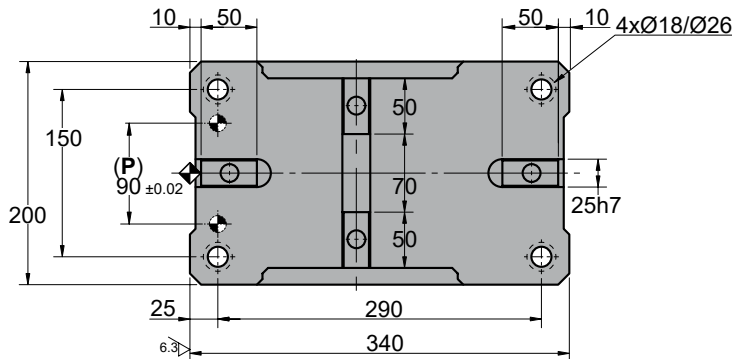
⑳	Gas Spring	1	FD 500 063
---	------------	---	------------

# ANRP 0200

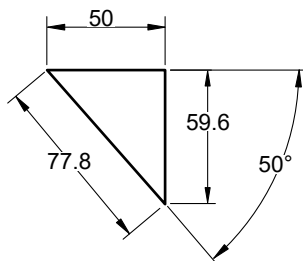
Aerial cam for pierce and flange



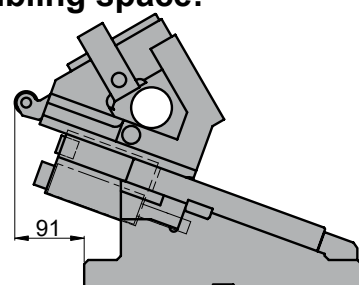
## ANRP 0200 50



◦Cam diagram:





◦Disassembling space:





# ANRP 0200

Aerial cam for pierce and flange

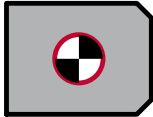

Stroke (mm)	Working force kN - (tons)	Spring Force N - (kgf)		Weight (Kg)	Model	W (mm)	$\alpha$ (mm)
		Initial F <sub>0</sub>	Final F <sub>1</sub>				
77.8	353.0 (36.0)	749.2 (76.4)	4494.0 (458.3)	78.2	ANRP	0200	50
		 ---	 5956.6 (607.4)				



Order: Model (W) ( $\alpha$ )  
**ANRP 0200 50**

Standard order example according to catalog sheet. Add options applying options table contents.

## OPTIONS

	<p><b>P PINS</b></p> <p><b>P 16 - Ø16 H7.</b></p> 
	<p><b>G GAS SPRING</b></p> <p><b>G Gas spring included in the cam</b></p> 

### Order Options: Model (W) ( $\alpha$ )-Option



**ANRP 0200 50-P**  
**ANRP 0200 50-G-P**



### SPARE PARTS:

- ④ Spring Guidee
- ⑧ Slide Guide
- ⑫ Slider Plate B
- ⑳ Coil Spring
- ⑳ Gas spring (G)

## COMPONENTS

No.	Description	Qty.	Material
①	Cam Driver	1	GG25
②	Cam Slider	1	GG25
③	Cam Holder	1	GG25
④	Spring Guide	1	Bronze + G
⑤	Base Plate D-R	1	CK45
⑥	Base Plate D-L	1	CK45
⑦	Stopper Plate	1	CK45
⑧	Slide Guide	1	Bronze + G
⑨	Positive Return A	2	CK45
⑩	Positive Return B	2	CK22
⑪	Slider Plate	2	CK45
⑫	Slider Plate B	2	Bronze

No.	Description	Qty.	Material
⑬	Coil Spring Holder	1	CK45
⑭	Locking plate	1	CK22
⑮	Spring Guide Plate	1	CK22
⑯	Key	4	CK45
⑰	Key	2	CK45
⑱	Key	1	CK45
⑲	Stopper	1	Urethane
⑳	Coil Spring	1	TJM50-178

⑳	Gas Spring	1	FD 500 063
---	------------	---	------------

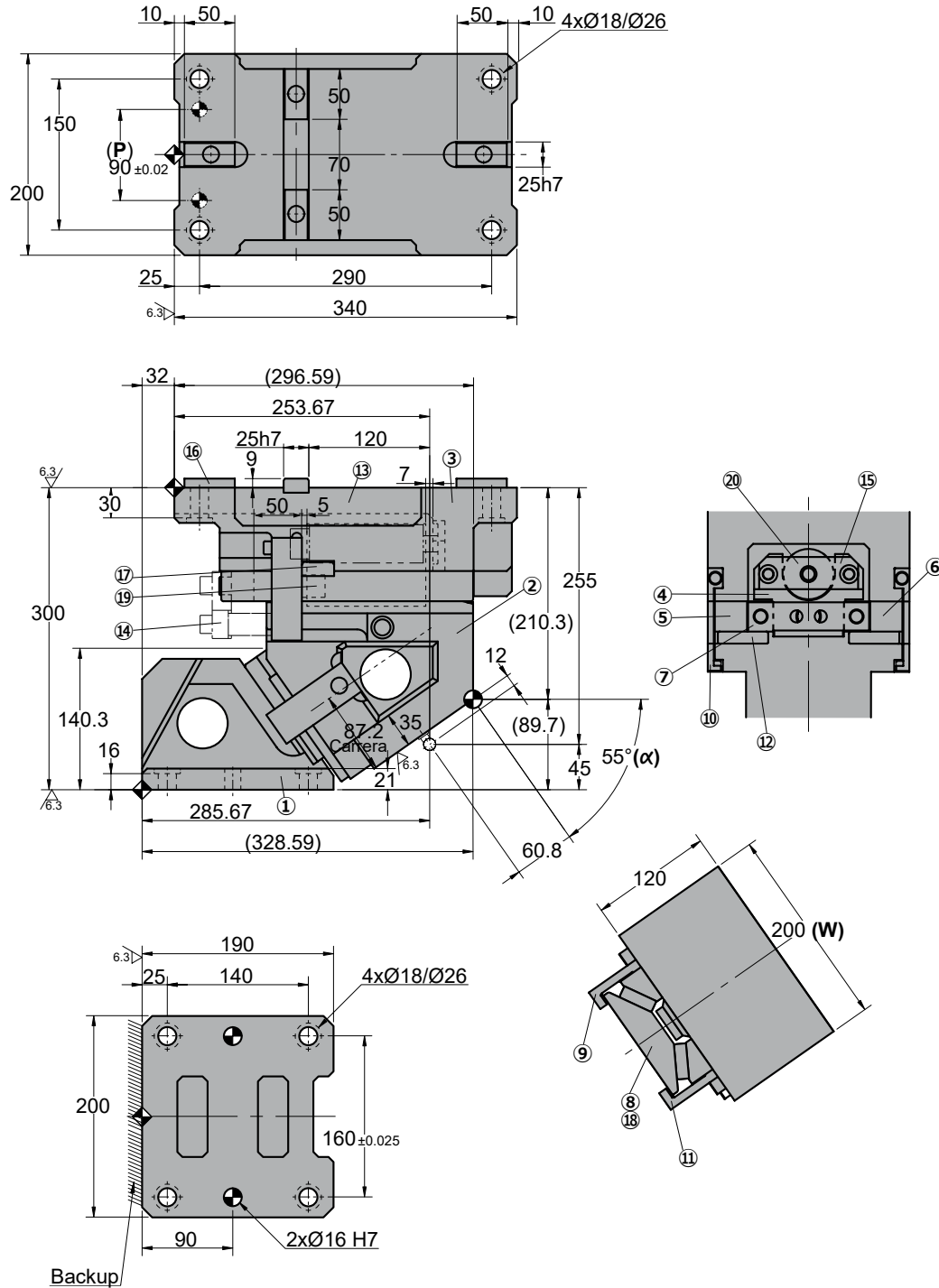


# ANRP 0200

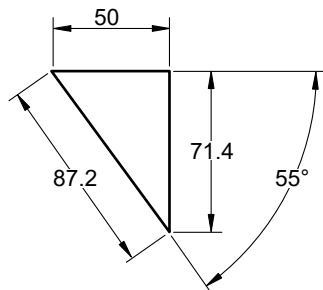
Aerial cam for pierce and flange



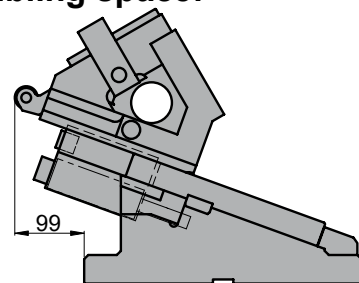
## ANRP 0200 55



◦Cam diagram:



◦Disassembling space:





# ANRP 0200

Aerial cam for pierce and flange

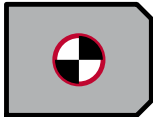

Stroke (mm)	Working force kN - (tons)	Spring Force N - (kgf)		Weight (Kg)	Model	W (mm)	$\alpha$ (mm)
		Initial F <sub>0</sub>	Final F <sub>1</sub>				
87.2	353.0 (36.0)	749.2 (76.4)	4494.0 (458.3)	80.5	ANRP	0200	55
		---	5956.6 (607.4)				



Order: Model (W) ( $\alpha$ )  
**ANRP 0200 55**

Standard order example according to catalog sheet. Add options applying options table contents.

## OPTIONS

	<p><b>P PINS</b></p> <p><b>P 16 - Ø16 H7.</b></p> 
	<p><b>G GAS SPRING</b></p> <p><b>G Gas spring included in the cam</b></p> 

### Order Options: Model (W) ( $\alpha$ )-Option



**ANRP 0200 55-P**  
**ANRP 0200 55-G-P**



### SPARE PARTS:

- ④ Spring Guidee
- ⑧ Slide Guide
- ⑫ Slider Plate B
- ⑳ Coil Spring
- ⑳ Gas spring (G)

## COMPONENTS

No.	Description	Qty.	Material
①	Cam Driver	1	GG25
②	Cam Slider	1	GG25
③	Cam Holder	1	GG25
④	Spring Guide	1	Bronze + G
⑤	Base Plate D-R	1	CK45
⑥	Base Plate D-L	1	CK45
⑦	Stopper Plate	1	CK45
⑧	Slide Guide	1	Bronze + G
⑨	Positive Return A	2	CK45
⑩	Positive Return B	2	CK22
⑪	Slider Plate	2	CK45
⑫	Slider Plate B	2	Bronze

No.	Description	Qty.	Material
⑬	Coil Spring Holder	1	CK45
⑭	Locking plate	1	CK22
⑮	Spring Guide Plate	1	CK22
⑯	Key	4	CK45
⑰	Key	2	CK45
⑱	Key	1	CK45
⑲	Stopper	1	Urethane
⑳	Coil Spring	1	TJM50-178

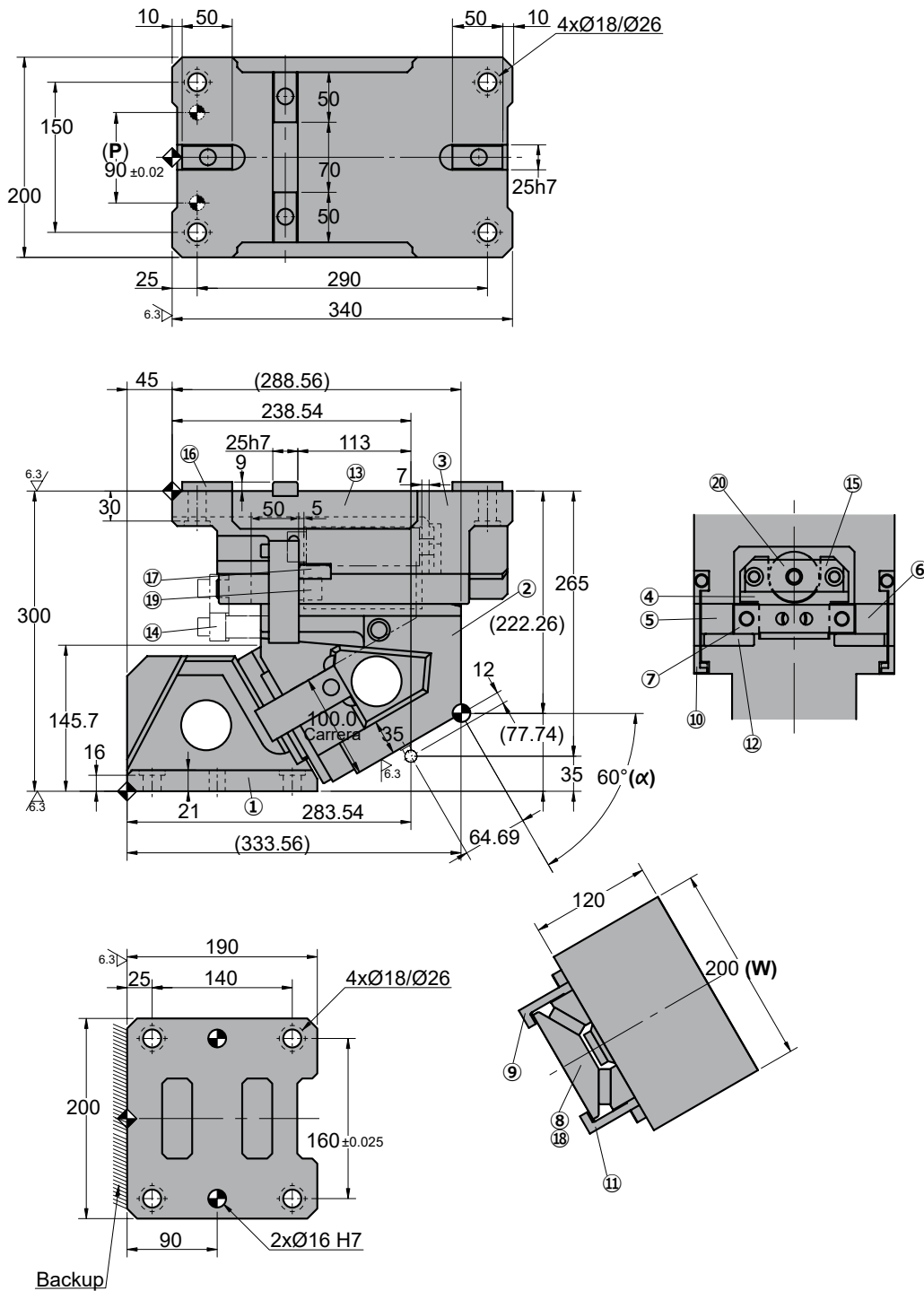
⑳	Gas Spring	1	FD 500 063
---	------------	---	------------

# ANRP 0200

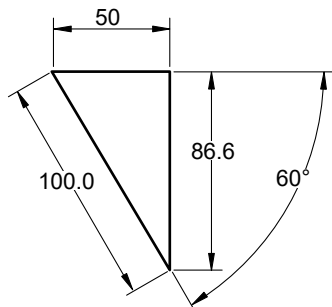
Aerial cam for pierce and flange



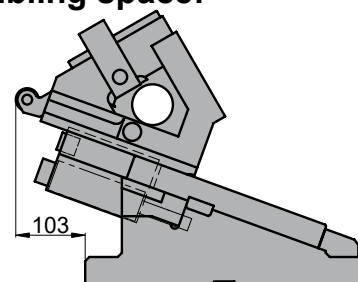
## ANRP 0200 60



◦Cam diagram:



◦Disassembling space:





# ANRP 0200

Aerial cam for pierce and flange



Stroke (mm)	Working force kN - (tons)	Spring Force N - (kgf)		Weight (Kg)	Model	W (mm)	$\alpha$ (mm)
		Initial F <sub>0</sub>	Final F <sub>1</sub>				
100.0	353.0 (36.0)	749.2 (76.4)	4494.0 (458.3)	82.4	ANRP	0200	60
		---	5956.6 (607.4)				



Order: Model (W) ( $\alpha$ )  
**ANRP 0200 60**

Standard order example according to catalog sheet. Add options applying options table contents.

## OPTIONS

	<p><b>P PINS</b></p> <p><b>P 16 - Ø16 H7.</b></p> 
	<p><b>G GAS SPRING</b></p> <p><b>G Gas spring included in the cam</b></p> 

### Order Options: Model (W) ( $\alpha$ )-Option



**ANRP 0200 60-P**  
**ANRP 0200 60-G-P**



### SPARE PARTS:

- ④ Spring Guidee
- ⑧ Slide Guide
- ⑫ Slider Plate B
- ⑳ Coil Spring
- ⑳ Gas spring (G)

## COMPONENTS

No.	Description	Qty.	Material
①	Cam Driver	1	GG25
②	Cam Slider	1	GG25
③	Cam Holder	1	GG25
④	Spring Guide	1	Bronze + G
⑤	Base Plate D-R	1	CK45
⑥	Base Plate D-L	1	CK45
⑦	Stopper Plate	1	CK45
⑧	Slide Guide	1	Bronze + G
⑨	Positive Return A	2	CK45
⑩	Positive Return B	2	CK22
⑪	Slider Plate	2	CK45
⑫	Slider Plate B	2	Bronze

No.	Description	Qty.	Material
⑬	Coil Spring Holder	1	CK45
⑭	Locking plate	1	CK22
⑮	Spring Guide Plate	1	CK22
⑯	Key	4	CK45
⑰	Key	2	CK45
⑱	Key	1	CK45
⑲	Stopper	1	Urethane
⑳	Coil Spring	1	TJM50-178

⑳	Gas Spring	1	FD 500 063
---	------------	---	------------

# ANRP 0200

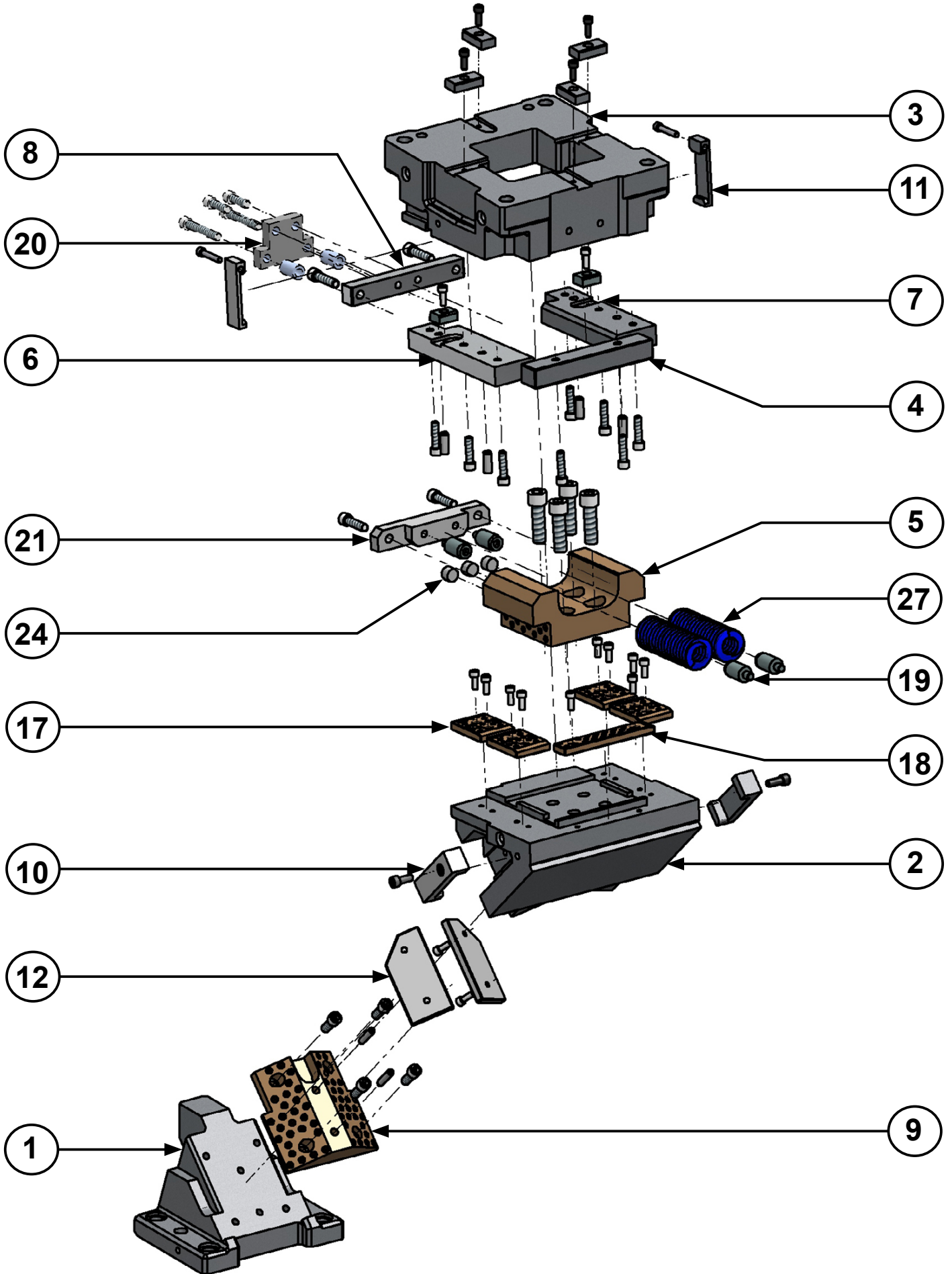


*Aerial cam for pierce and flange*



# ANRP 0300-0400

Aerial cam for pierce and flange

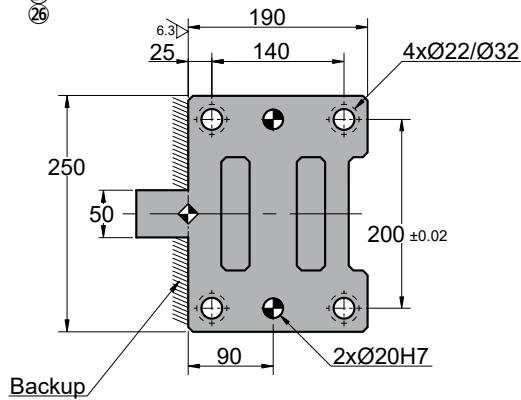
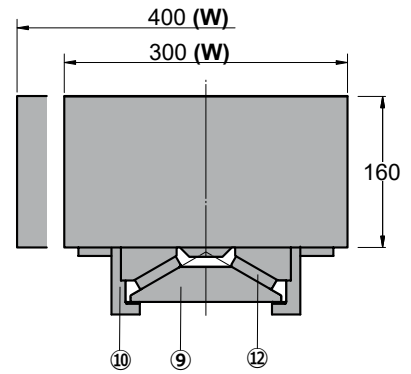
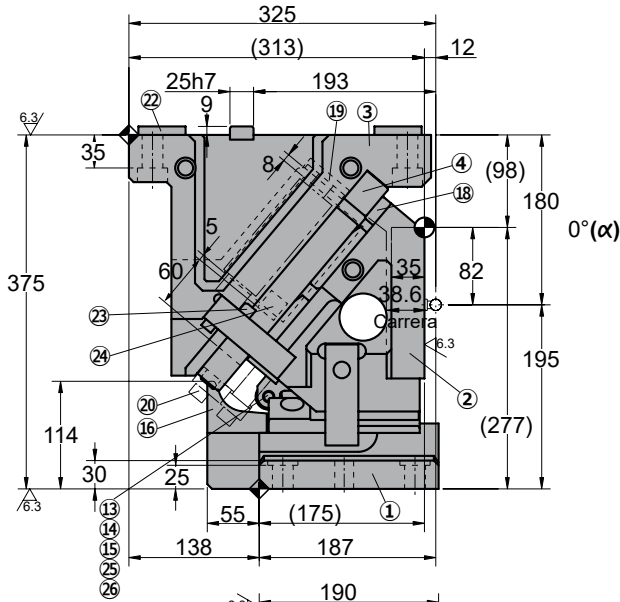
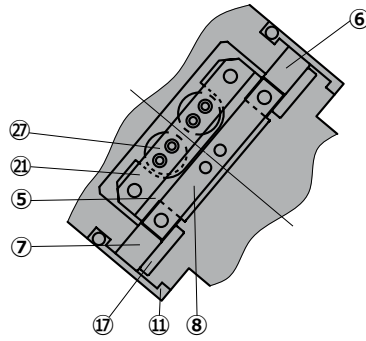
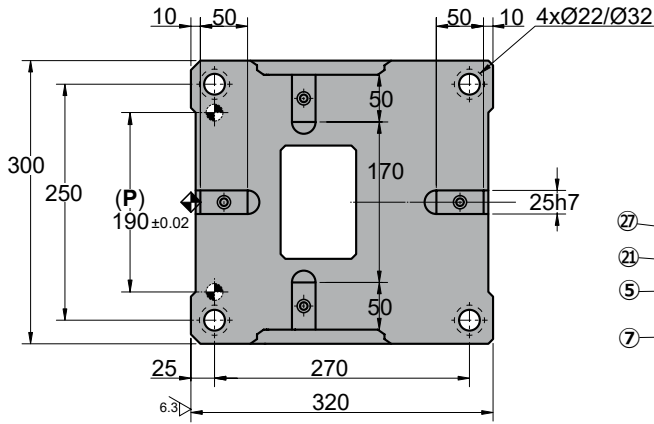


# ANRP 0300-0400

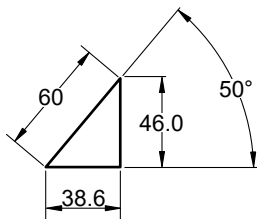
Aerial cam for pierce and flange



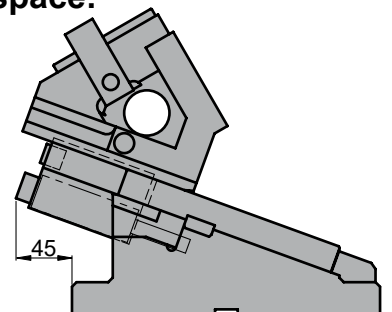
**ANRP 0300 00**  
**ANRP 0400 00**



◦Cam diagram:



◦Desassembling space:









# ANRP 0300-0400

Aerial cam for pierce and flange



Stroke (mm)	Working force kN - (tons)	Spring Force N - (kgf)		Weight (Kg) W=300	Weight (Kg) W=400	Model	W (mm)	$\alpha$ (mm)
		Initial F <sub>0</sub>	Final F <sub>1</sub>					
38.6	451.1 (46.0)	1314.1 (134.0)	9198.0 (937.9)	153.2	160.2	ANRP	0300 0400	00
		 ---	 11783.9 (1201.6)					



Order: Model (W) ( $\alpha$ )  
**ANRP 0300 00**

Standard order example according to catalog sheet. Add options applying options table contents.

## OPTIONS

	<p><b>P PINS</b></p>  <p><b>P 16</b> - Ø16 H7.  <b>P 20</b> - Ø20 H7. (Only cam holder)</p>
	<p><b>G GAS SPRING</b></p>  <p><b>G</b> Gas spring included in the cam</p>

### Order Options: Model (W) ( $\alpha$ )-Option



**ANRP 0300 00-P16**  
**ANRP 0300 00-G-P16**



### SPARE PARTS:

- ⑤ Spring Guide
- ⑨ Slide Guide
- ⑰ Slider Plate B
- ⑱ Slider Plate C
- ⑳ Coil Spring
- ㉑ Gas spring (**G**)

## COMPONENTS

No.	Description	Qty.	Material
①	Cam Driver	1	GG25
②	Cam Slider	1	GG25
③	Cam Holder	1	GG25
④	Base Plate	1	CK45
⑤	Spring Guide	1	Bronze + G
⑥	Base Plate F-R	1	CK45
⑦	Base Plate F-L	1	CK45
⑧	Stopper Plate	1	CK45
⑨	Slide Guide	1	Bronze + G
⑩	Positive Return A	2	CK45
⑪	Positive Return B	2	CK22
⑫	Slider Plate A	2	CK45
⑬	Bearing	1	CK45
⑭	Bearing Shaft	1	CK45
⑮	Roller Body	1	CK45

No.	Description	Qty.	Material
⑯	Bearing Guide	1	CK45
⑰	Slider Plate B	4	Bronze
⑱	Slider Plate C	1	Bronze
⑲	Coil Spring Holder	1	CK45
⑳	Locking plate	1	CK22
㉑	Spring Guide Plate	1	CK22
㉒	Key A	4	CK45
㉓	Key B	2	CK45
㉔	Stopper	3	Urethane
㉕	Bushing	1	Bronze + G
㉖	Elastic Ring	2	Ø9
㉗	Coil Spring	2	TJM50-203

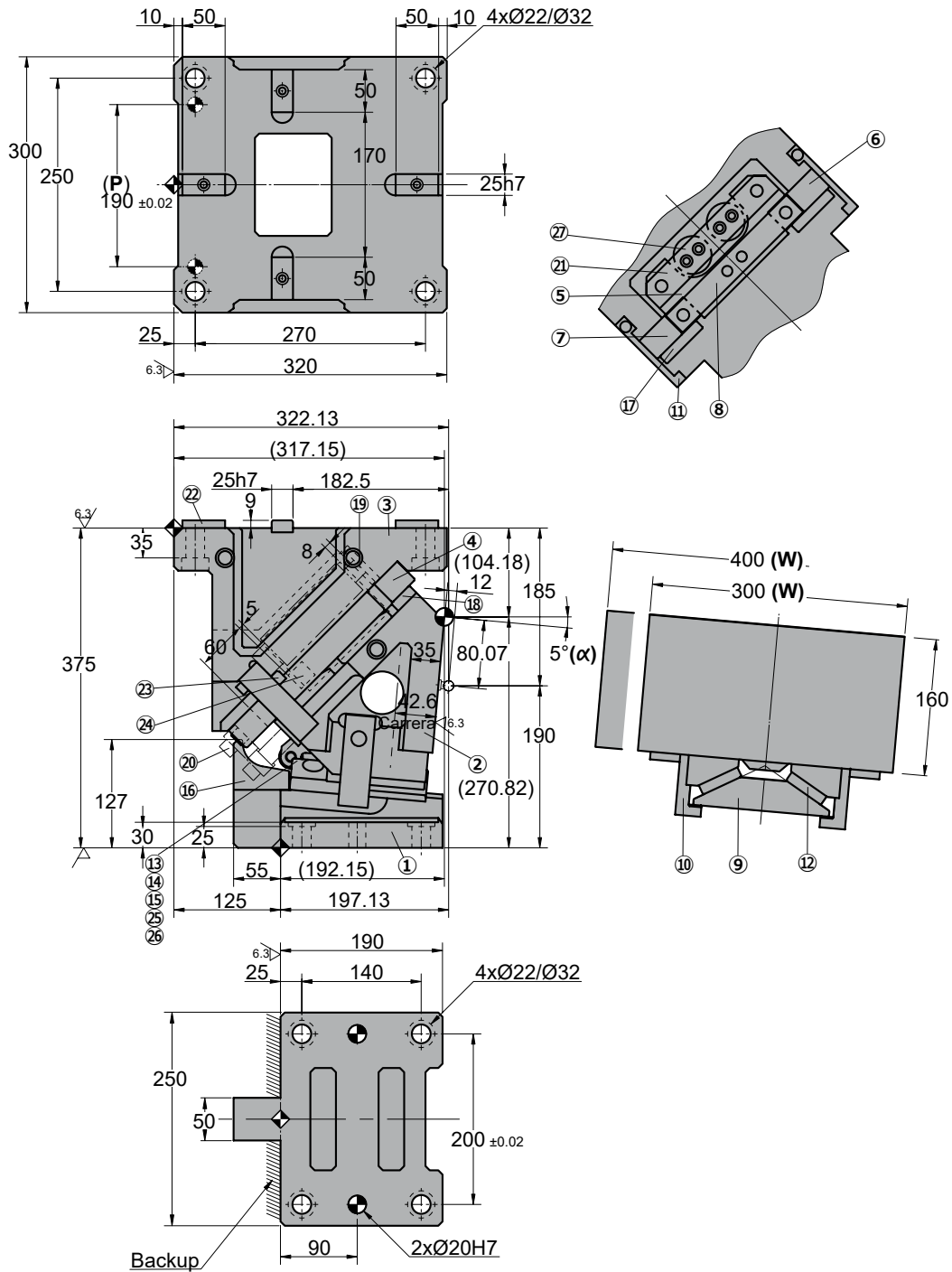
㉗	Gas Spring	2	FD 500 80
---	------------	---	-----------

# ANRP 0300-0400

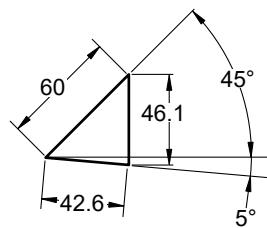
Aerial cam for pierce and flange



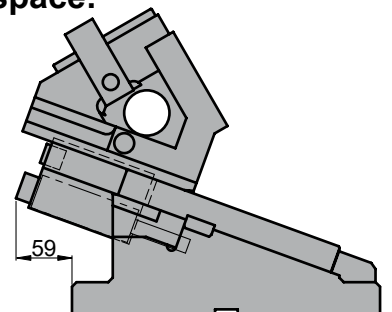
**ANRP 0300 05**  
**ANRP 0400 05**



◦Cam diagram:



◦Desassembling space:





# ANRP 0300-0400

Aerial cam for pierce and flange



Stroke (mm)	Working force kN - (tons)	Spring Force N - (kgf)		Weight (Kg) W=300	Weight (Kg) W=400	Model	W (mm)	$\alpha$ (mm)
		Initial F <sub>0</sub>	Final F <sub>1</sub>					
42.6	451.1 (46.0)	1314.1 (134.0)	9198.0 (937.9)	152.5	159.5	ANRP	0300 0400	05
		---	11783.9 (1201.6)					



Order: Model (W) ( $\alpha$ )  
**ANRP 0300 05**

Standard order example according to catalog sheet. Add options applying options table contents.

## OPTIONS

	<p><b>P PINS</b></p>  <p><b>P 16</b> - Ø16 H7.  <b>P 20</b> - Ø20 H7. (Only cam holder)</p>
	<p><b>G GAS SPRING</b></p>  <p><b>G</b> Gas spring included in the cam</p>

### Order Options: Model (W) ( $\alpha$ )-Option



**ANRP 0300 05-P16**  
**ANRP 0300 05-G-P16**



### SPARE PARTS:

- ⑤ Spring Guide
- ⑨ Slide Guide
- ⑰ Slider Plate B
- ⑱ Slider Plate C
- ⑳ Coil Spring
- ㉑ Gas spring (G)

## COMPONENTS

No.	Description	Qty.	Material
①	Cam Driver	1	GG25
②	Cam Slider	1	GG25
③	Cam Holder	1	GG25
④	Base Plate	1	CK45
⑤	Spring Guide	1	Bronze + G
⑥	Base Plate F-R	1	CK45
⑦	Base Plate F-L	1	CK45
⑧	Stopper Plate	1	CK45
⑨	Slide Guide	1	Bronze + G
⑩	Positive Return A	2	CK45
⑪	Positive Return B	2	CK22
⑫	Slider Plate A	2	CK45
⑬	Bearing	1	CK45
⑭	Bearing Shaft	1	CK45
⑮	Roller Body	1	CK45

No.	Description	Qty.	Material
⑯	Bearing Guide	1	CK45
⑰	Slider Plate B	4	Bronze
⑱	Slider Plate C	1	Bronze
⑲	Coil Spring Holder	1	CK45
⑳	Locking plate	1	CK22
㉑	Spring Guide Plate	1	CK22
㉒	Key A	4	CK45
㉓	Key B	2	CK45
㉔	Stopper	3	Urethane
㉕	Bushing	1	Bronze + G
㉖	Elastic Ring	2	Ø9
㉗	Coil Spring	2	TJM50-203

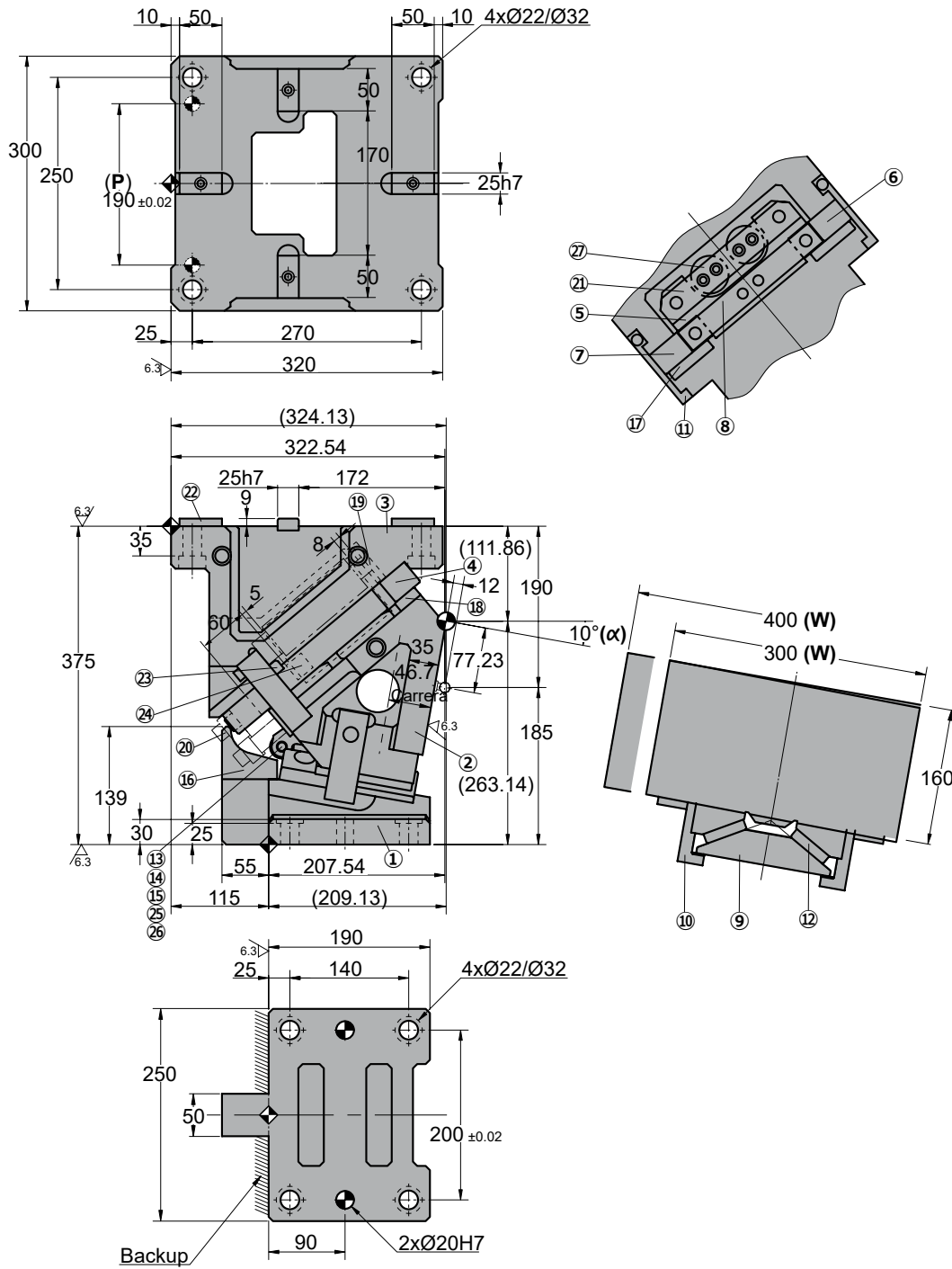
㉘	Gas Spring	2	FD 500 80
---	------------	---	-----------

# ANRP 0300-0400

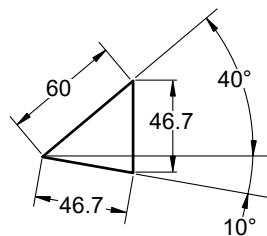
Aerial cam for pierce and flange



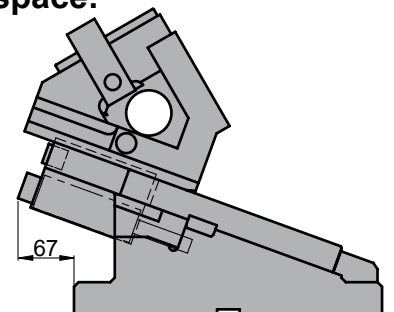
**ANRP 0300 10**  
**ANRP 0400 10**



◦Cam diagram:



◦Desassembling space:





# ANRP 0300-0400

Aerial cam for pierce and flange



Stroke (mm)	Working force kN - (tons)	Spring Force N - (kgf)		Weight (Kg) W=300	Weight (Kg) W=400	Model	W (mm)	$\alpha$ (mm)
		Initial F <sub>0</sub>	Final F <sub>1</sub>					
46.7	451.1 (46.0)	1314.1 (134.0)	9198.0 (937.9)	151.4	158.4	ANRP	0300 0400	10
		---	11783.9 (1201.6)					



Order: Model (W) ( $\alpha$ )  
**ANRP 0300 10**

Standard order example according to catalog sheet. Add options applying options table contents.

## OPTIONS

	<p><b>P PINS</b></p>  <p><b>P 16</b> - Ø16 H7.  <b>P 20</b> - Ø20 H7. (Only cam holder)</p>
	<p><b>G GAS SPRING</b></p>  <p><b>G</b> Gas spring included in the cam</p>

### Order Options: Model (W) ( $\alpha$ )-Option



**ANRP 0300 10-P16**  
**ANRP 0300 10-G-P16**



### SPARE PARTS:

- ⑤ Spring Guide
- ⑨ Slide Guide
- ⑰ Slider Plate B
- ⑱ Slider Plate C
- ⑳ Coil Spring
- ㉑ Gas spring (G)

## COMPONENTS

No.	Description	Qty.	Material
①	Cam Driver	1	GG25
②	Cam Slider	1	GG25
③	Cam Holder	1	GG25
④	Base Plate	1	CK45
⑤	Spring Guide	1	Bronze + G
⑥	Base Plate F-R	1	CK45
⑦	Base Plate F-L	1	CK45
⑧	Stopper Plate	1	CK45
⑨	Slide Guide	1	Bronze + G
⑩	Positive Return A	2	CK45
⑪	Positive Return B	2	CK22
⑫	Slider Plate A	2	CK45
⑬	Bearing	1	CK45
⑭	Bearing Shaft	1	CK45
⑮	Roller Body	1	CK45

No.	Description	Qty.	Material
⑯	Bearing Guide	1	CK45
⑰	Slider Plate B	4	Bronze
⑱	Slider Plate C	1	Bronze
⑲	Coil Spring Holder	1	CK45
⑳	Locking plate	1	CK22
㉑	Spring Guide Plate	1	CK22
㉒	Key A	4	CK45
㉓	Key B	2	CK45
㉔	Stopper	3	Urethane
㉕	Bushing	1	Bronze + G
㉖	Elastic Ring	2	Ø9
㉗	Coil Spring	2	TJM50-203

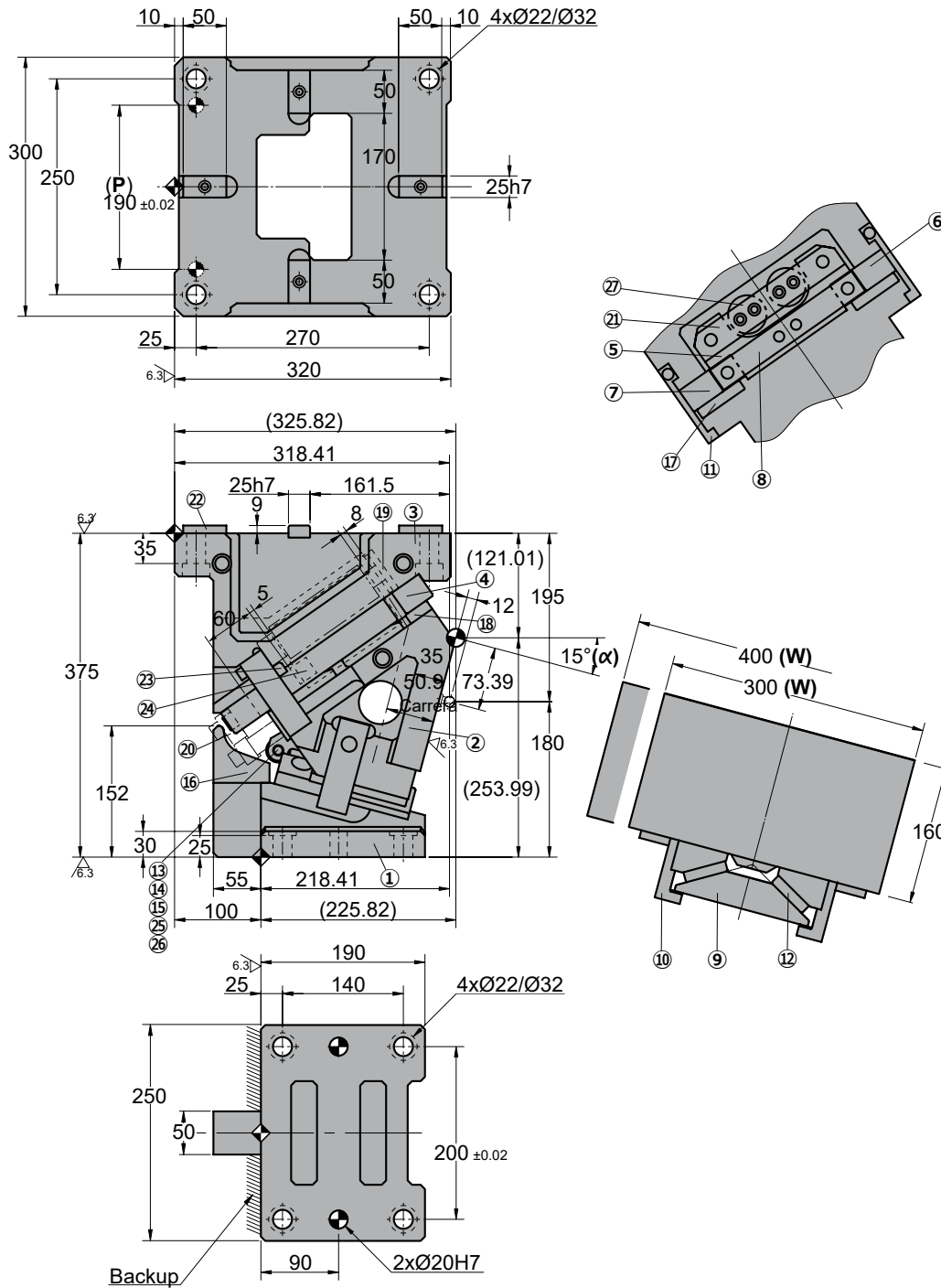
㉘	Gas Spring	2	FD 500 80
---	------------	---	-----------

# ANRP 0300-0400

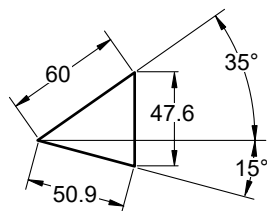
Aerial cam for pierce and flange



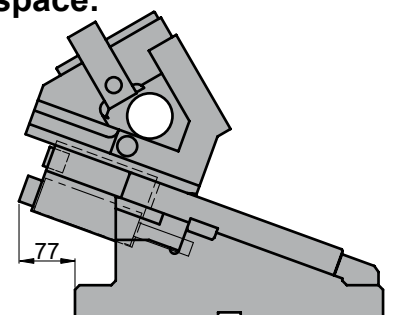
**ANRP 0300 15**  
**ANRP 0400 15**



◦Cam diagram:



◦Desassembling space:





# ANRP 0300-0400

Aerial cam for pierce and flange



Stroke (mm)	Working force kN - (tons)	Spring Force N - (kgf)		Weight (Kg) W=300	Weight (Kg) W=400	Model	W (mm)	$\alpha$ (mm)
		Initial F <sub>0</sub>	Final F <sub>1</sub>					
50.9	451.1 (46.0)	1314.1 (134.0)	9198.0 (937.9)	154.1	161.1	ANRP	0300 0400	15
		---	11783.9 (1201.6)					



Order: Model (W) ( $\alpha$ )  
**ANRP 0300 15**

Standard order example according to catalog sheet. Add options applying options table contents.

## OPTIONS

	<p><b>P PINS</b></p>  <p><b>P 16</b> - Ø16 H7.  <b>P 20</b> - Ø20 H7. (Only cam holder)</p>
	<p><b>G GAS SPRING</b></p>  <p><b>G</b> Gas spring included in the cam</p>

Order Options: Model (W) ( $\alpha$ )-Option



**ANRP 0300 15-P16**  
**ANRP 0300 15-G-P16**



### SPARE PARTS:

- ⑤ Spring Guide
- ⑨ Slide Guide
- ⑰ Slider Plate B
- ⑱ Slider Plate C
- ⑳ Coil Spring
- ㉑ Gas spring (G)

## COMPONENTS

No.	Description	Qty.	Material
①	Cam Driver	1	GG25
②	Cam Slider	1	GG25
③	Cam Holder	1	GG25
④	Base Plate	1	CK45
⑤	Spring Guide	1	Bronze + G
⑥	Base Plate F-R	1	CK45
⑦	Base Plate F-L	1	CK45
⑧	Stopper Plate	1	CK45
⑨	Slide Guide	1	Bronze + G
⑩	Positive Return A	2	CK45
⑪	Positive Return B	2	CK22
⑫	Slider Plate A	2	CK45
⑬	Bearing	1	CK45
⑭	Bearing Shaft	1	CK45
⑮	Roller Body	1	CK45

No.	Description	Qty.	Material
⑯	Bearing Guide	1	CK45
⑰	Slider Plate B	4	Bronze
⑱	Slider Plate C	1	Bronze
⑲	Coil Spring Holder	1	CK45
⑳	Locking plate	1	CK22
㉑	Spring Guide Plate	1	CK22
㉒	Key A	4	CK45
㉓	Key B	2	CK45
㉔	Stopper	3	Urethane
㉕	Bushing	1	Bronze + G
㉖	Elastic Ring	2	Ø9
㉗	Coil Spring	2	TJM50-203

㉘	Gas Spring	2	FD 500 80
---	------------	---	-----------

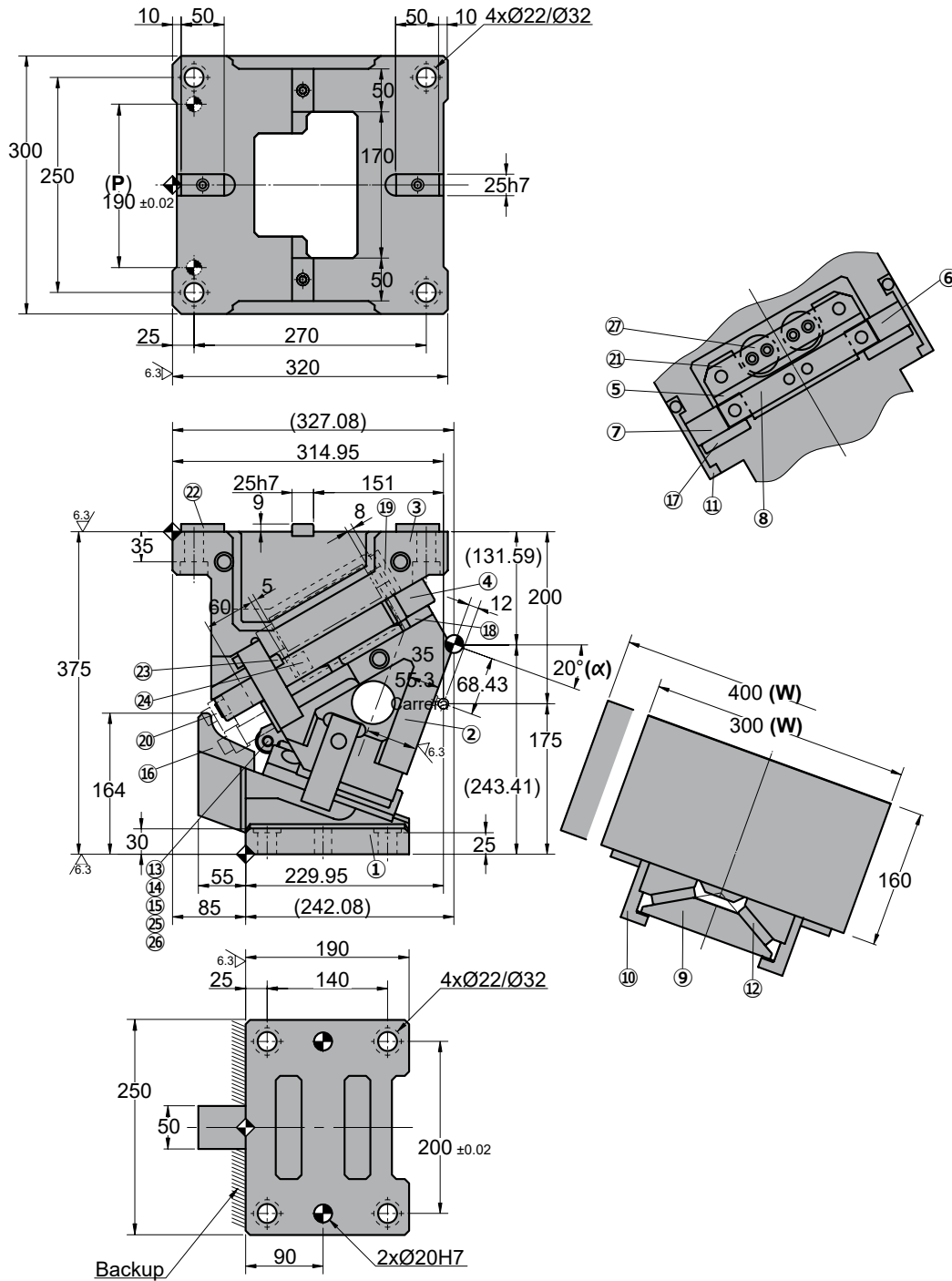


# ANRP 0300-0400

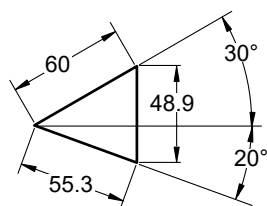
Aerial cam for pierce and flange



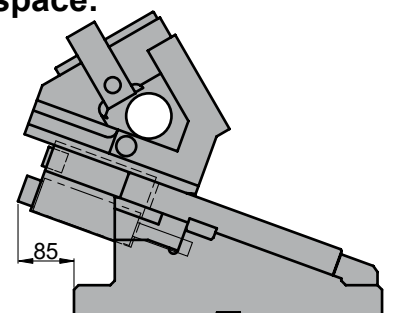
**ANRP 0300 20**  
**ANRP 0400 20**



◦Cam diagram:



◦Desassembling space:





# ANRP 0300-0400

Aerial cam for pierce and flange



Stroke (mm)	Working force kN - (tons)	Spring Force N - (kgf)		Weight (Kg) W=300	Weight (Kg) W=400	Model	W (mm)	$\alpha$ (mm)
		Initial F <sub>0</sub>	Final F <sub>1</sub>					
55.3	451.1 (46.0)	1314.1 (134.0)	9198.0 (937.9)	148.2	155.2	ANRP	0300 0400	20
		---	11783.9 (1201.6)					



Order: Model (W) ( $\alpha$ )  
**ANRP 0300 20**

Standard order example according to catalog sheet. Add options applying options table contents.

## OPTIONS

	<p><b>P PINS</b></p>  <p><b>P 16</b> - Ø16 H7.  <b>P 20</b> - Ø20 H7. (Only cam holder)</p>
	<p><b>G GAS SPRING</b></p>  <p><b>G</b> Gas spring included in the cam</p>

### Order Options: Model (W) ( $\alpha$ )-Option



**ANRP 0300 20-P16**  
**ANRP 0300 20-G-P16**



### SPARE PARTS:

- ⑤ Spring Guide
- ⑨ Slide Guide
- ⑰ Slider Plate B
- ⑱ Slider Plate C
- ⑳ Coil Spring
- ㉑ Gas spring (**G**)

## COMPONENTS

No.	Description	Qty.	Material
①	Cam Driver	1	GG25
②	Cam Slider	1	GG25
③	Cam Holder	1	GG25
④	Base Plate	1	CK45
⑤	Spring Guide	1	Bronze + G
⑥	Base Plate F-R	1	CK45
⑦	Base Plate F-L	1	CK45
⑧	Stopper Plate	1	CK45
⑨	Slide Guide	1	Bronze + G
⑩	Positive Return A	2	CK45
⑪	Positive Return B	2	CK22
⑫	Slider Plate A	2	CK45
⑬	Bearing	1	CK45
⑭	Bearing Shaft	1	CK45
⑮	Roller Body	1	CK45

No.	Description	Qty.	Material
⑯	Bearing Guide	1	CK45
⑰	Slider Plate B	4	Bronze
⑱	Slider Plate C	1	Bronze
⑲	Coil Spring Holder	1	CK45
⑳	Locking plate	1	CK22
㉑	Spring Guide Plate	1	CK22
㉒	Key A	4	CK45
㉓	Key B	2	CK45
㉔	Stopper	3	Urethane
㉕	Bushing	1	Bronze + G
㉖	Elastic Ring	2	Ø9
㉗	Coil Spring	2	TJM50-203

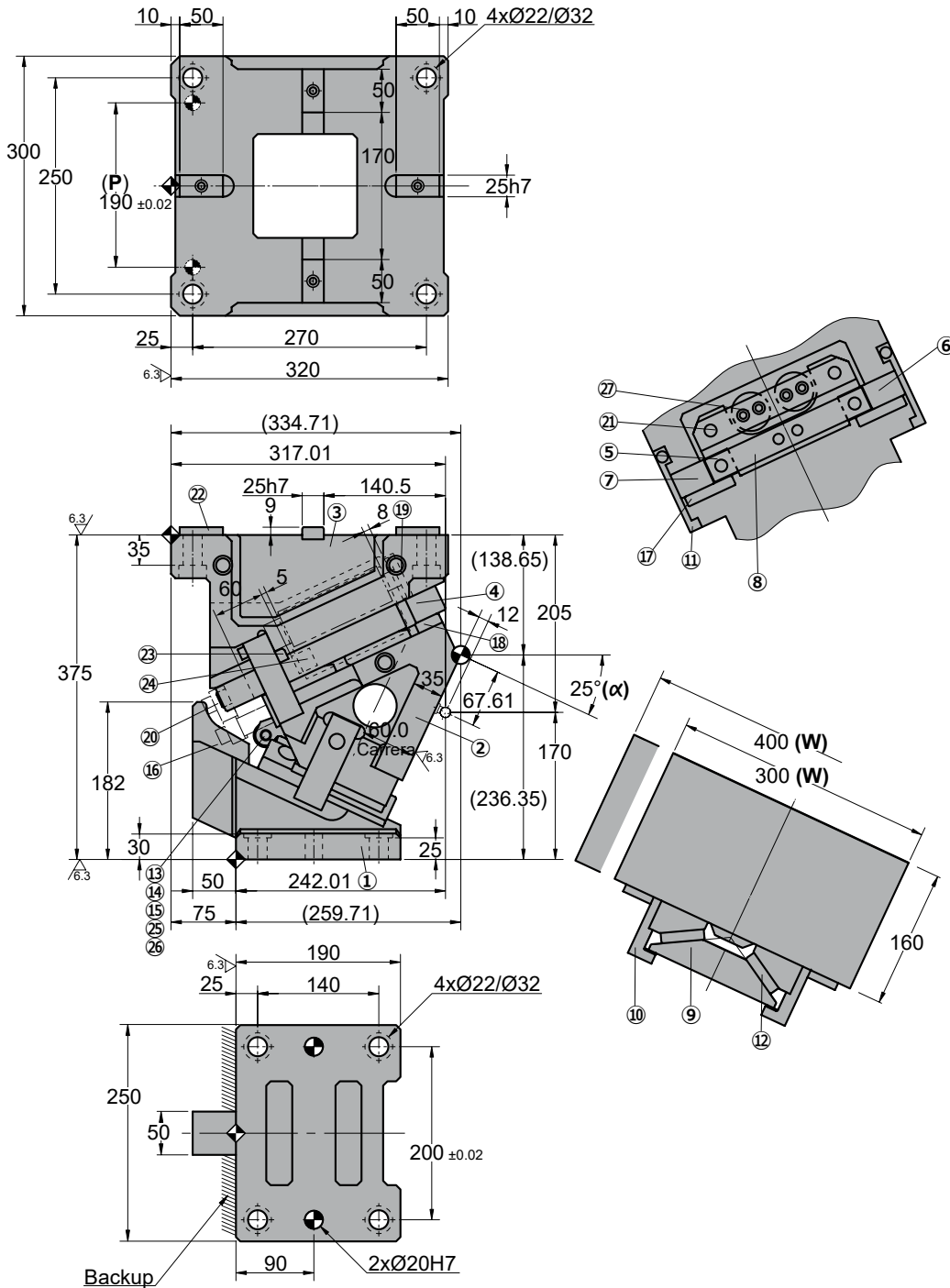
㉘	Gas Spring	2	FD 500 80
---	------------	---	-----------

# ANRP 0300-0400

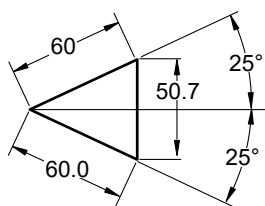
Aerial cam for pierce and flange



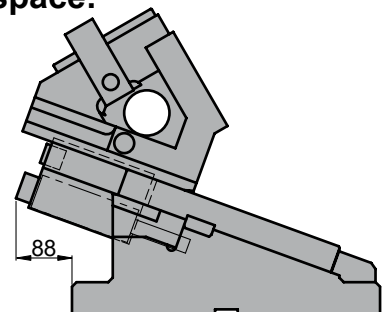
**ANRP 0300 25**  
**ANRP 0400 25**



◦Cam diagram:



◦Desassembling space:





# ANRP 0300-0400

Aerial cam for pierce and flange



Stroke (mm)	Working force kN - (tons)	Spring Force N - (kgf)		Weight (Kg) W=300	Weight (Kg) W=400	Model	W (mm)	$\alpha$ (mm)
		Initial F <sub>0</sub>	Final F <sub>1</sub>					
60.0	451.1 (46.0)	1314.1 (134.0)	9198.0 (937.9)	150.2	157.3	ANRP	0300 0400	25
		---	11783.9 (1201.6)					



Order: Model (W) ( $\alpha$ )  
**ANRP 0300 25**

Standard order example according to catalog sheet. Add options applying options table contents.

## OPTIONS

	<p><b>P PINS</b></p>  <p><b>P 16</b> - Ø16 H7.  <b>P 20</b> - Ø20 H7. (Only cam holder)</p>
	<p><b>G GAS SPRING</b></p>  <p><b>G</b> Gas spring included in the cam</p>

### Order Options: Model (W) ( $\alpha$ )-Option



**ANRP 0300 25-P16**  
**ANRP 0300 25-G-P16**



### SPARE PARTS:

- ⑤ Spring Guide
- ⑨ Slide Guide
- ⑰ Slider Plate B
- ⑱ Slider Plate C
- ⑳ Coil Spring
- ㉑ Gas spring (G)

## COMPONENTS

No.	Description	Qty.	Material
①	Cam Driver	1	GG25
②	Cam Slider	1	GG25
③	Cam Holder	1	GG25
④	Base Plate	1	CK45
⑤	Spring Guide	1	Bronze + G
⑥	Base Plate F-R	1	CK45
⑦	Base Plate F-L	1	CK45
⑧	Stopper Plate	1	CK45
⑨	Slide Guide	1	Bronze + G
⑩	Positive Return A	2	CK45
⑪	Positive Return B	2	CK22
⑫	Slider Plate A	2	CK45
⑬	Bearing	1	CK45
⑭	Bearing Shaft	1	CK45
⑮	Roller Body	1	CK45

No.	Description	Qty.	Material
⑯	Bearing Guide	1	CK45
⑰	Slider Plate B	4	Bronze
⑱	Slider Plate C	1	Bronze
⑲	Coil Spring Holder	1	CK45
⑳	Locking plate	1	CK22
㉑	Spring Guide Plate	1	CK22
㉒	Key A	4	CK45
㉓	Key B	2	CK45
㉔	Stopper	3	Urethane
㉕	Bushing	1	Bronze + G
㉖	Elastic Ring	2	Ø9
㉗	Coil Spring	2	TJM50-203

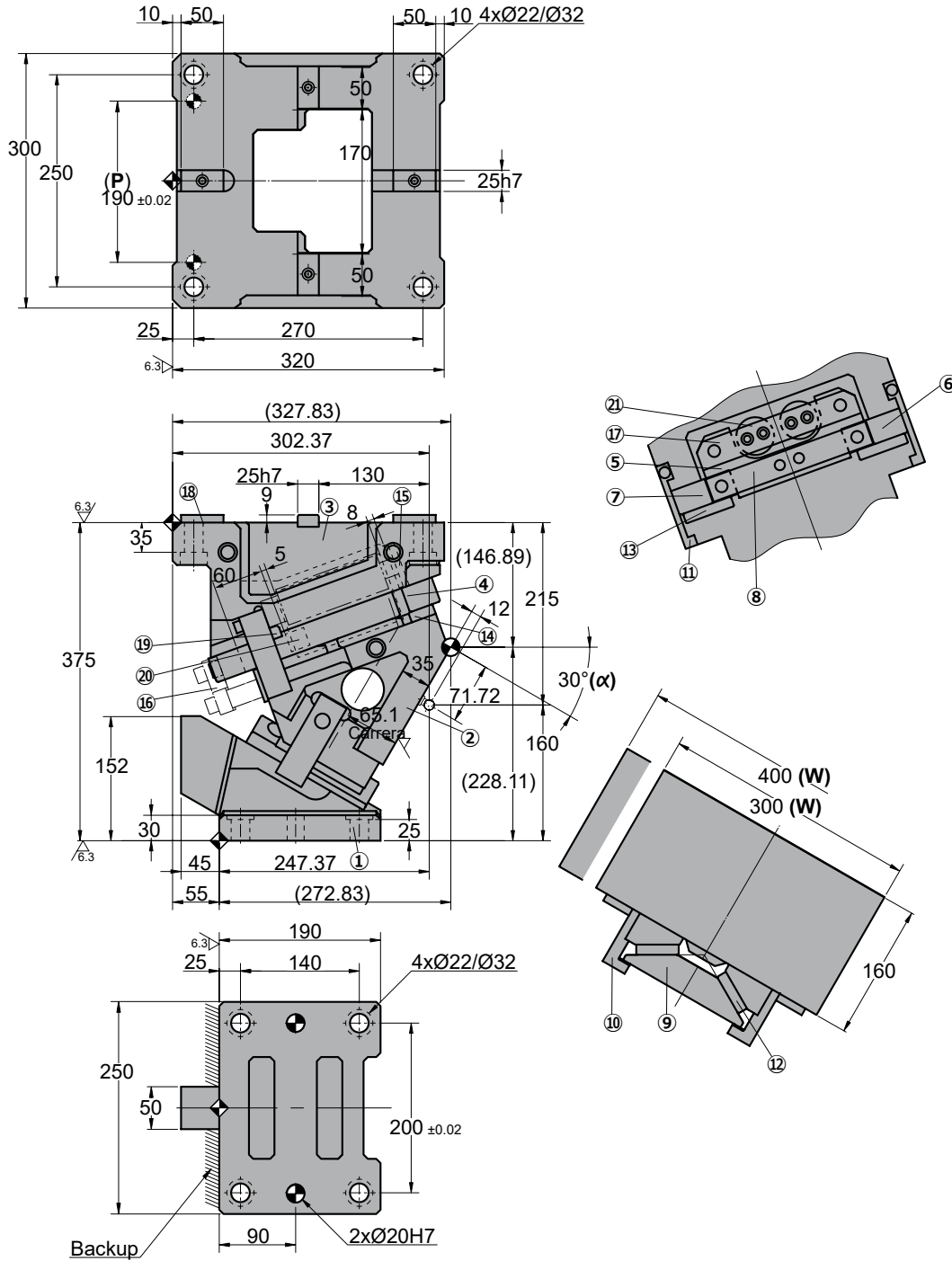
㉘	Gas Spring	2	FD 500 80
---	------------	---	-----------

# ANRP 0300-0400

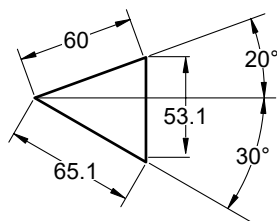
Aerial cam for pierce and flange



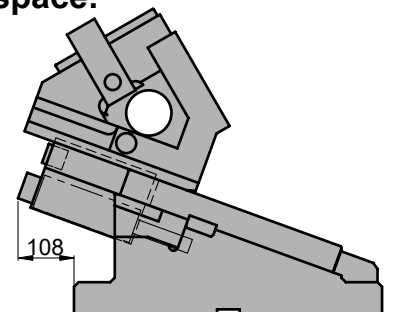
**ANRP 0300 30**  
**ANRP 0400 30**



◦Cam diagram:





◦Desassembling space:





# ANRP 0300-0400

Aerial cam for pierce and flange



Stroke (mm)	Working force kN - (tons)	Spring Force N - (kgf)		Weight (Kg) W=300	Weight (Kg) W=400	Model	W (mm)	$\alpha$ (mm)
		Initial F <sub>0</sub>	Final F <sub>1</sub>					
65.1	451.1 (46.0)	1314.1 (134.0)	9198.0 (937.9)	147.3	154.3	ANRP	0300 0400	30
		 ---	 11783.9 (1201.6)					



Order: Model (W) ( $\alpha$ )  
**ANRP 0300 30**

Standard order example according to catalog sheet. Add options applying options table contents.

## OPTIONS

	<p><b>P PINS</b></p>  <p><b>P 16</b> - Ø16 H7.  <b>P 20</b> - Ø20 H7. (Only cam holder)</p>
	<p><b>G GAS SPRING</b></p>  <p><b>G</b> Gas spring included in the cam</p>

### Order Options: Model (W) ( $\alpha$ )-Option



**ANRP 0300 30-P16**  
**ANRP 0300 30-G-P16**



### SPARE PARTS:

- ⑤ Spring Guide
- ⑨ Slide Guide
- ⑬ Slider Plate B
- ⑭ Slider Plate C
- ⑳ Coil Spring
- ㉑ Gas spring (**G**)

## COMPONENTS

No.	Description	Qty.	Material
①	Cam Driver	1	GG25
②	Cam Slider	1	GG25
③	Cam Holder	1	GG25
④	Base Plate	1	CK45
⑤	Spring Guide	1	Bronze + G
⑥	Base Plate F-R	1	CK45
⑦	Base Plate F-L	1	CK45
⑧	Stopper Plate	1	CK45
⑨	Slide Guide	1	Bronze + G
⑩	Positive Return A	2	CK45
⑪	Positive Return B	2	CK22
⑫	Slider Plate A	2	CK45

No.	Description	Qty.	Material
⑬	Slider Plate B	4	Bronze
⑭	Slider Plate C	1	Bronze
⑮	Coil Spring Holder	1	CK45
⑯	Locking plate	1	CK22
⑰	Spring Guide Plate	1	CK22
⑱	Key A	4	CK45
⑲	Key B	2	CK45
⑳	Stopper	3	Urethane
㉑	Coil Spring	2	TJM50-203

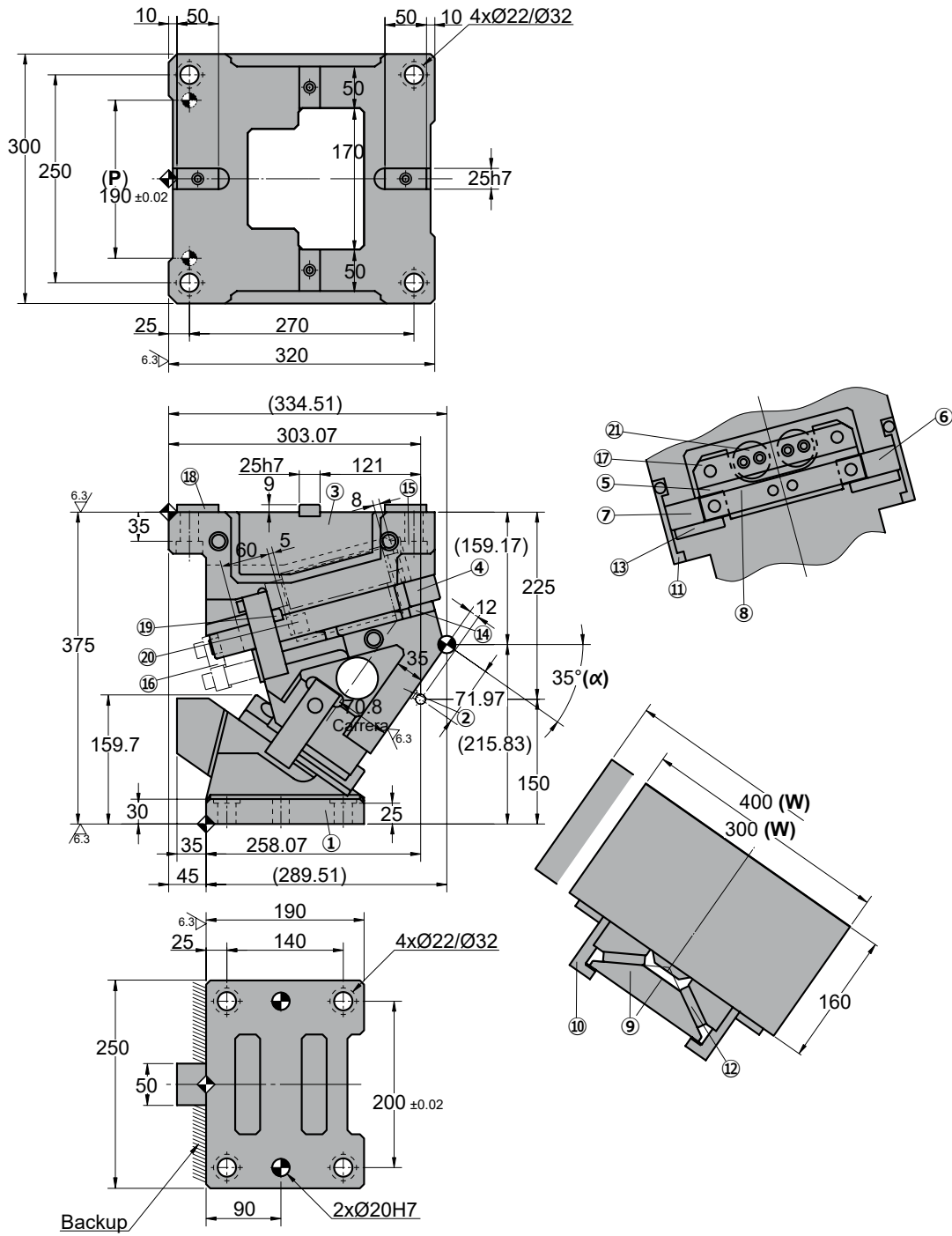
㉑	Gas Spring	2	FD 500 80
---	------------	---	-----------

# ANRP 0300-0400

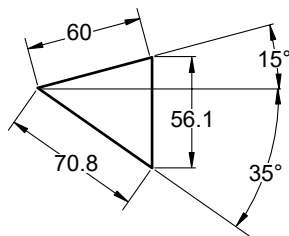
Aerial cam for pierce and flange



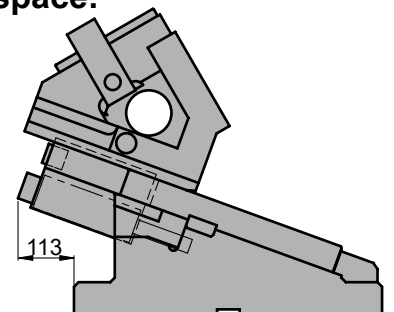
**ANRP 0300 35**  
**ANRP 0400 35**



◦Cam diagram:



◦Desassembling space:









# ANRP 0300-0400

Aerial cam for pierce and flange



Stroke (mm)	Working force kN - (tons)	Spring Force N - (kgf)		Weight (Kg) W=300	Weight (Kg) W=400	Model	W (mm)	$\alpha$ (mm)
		Initial F <sub>0</sub>	Final F <sub>1</sub>					
70.8	451.1 (46.0)	1314.1 (134.0)	9198.0 (937.9)	148.0	155.0	ANRP	0300 0400	35
		 ---	 11783.9 (1201.6)					



Order: Model (W) ( $\alpha$ )  
**ANRP 0300 35**

Standard order example according to catalog sheet. Add options applying options table contents.

## OPTIONS

	<p><b>P PINS</b></p>  <p><b>P 16</b> - Ø16 H7.  <b>P 20</b> - Ø20 H7. (Only cam holder)</p>
	<p><b>G GAS SPRING</b></p>  <p><b>G</b> Gas spring included in the cam</p>

**Order Options: Model (W) ( $\alpha$ )-Option**

**ANRP 0300 35-P16**

**ANRP 0300 35-G-P16**

**SPARE PARTS:**

- ⑤ Spring Guide
- ⑨ Slide Guide
- ⑬ Slider Plate B
- ⑭ Slider Plate C
- ⑳ Coil Spring
- ㉑ Gas spring (**G**)

## COMPONENTS

No.	Description	Qty.	Material
①	Cam Driver	1	GG25
②	Cam Slider	1	GG25
③	Cam Holder	1	GG25
④	Base Plate	1	CK45
⑤	Spring Guide	1	Bronze + G
⑥	Base Plate F-R	1	CK45
⑦	Base Plate F-L	1	CK45
⑧	Stopper Plate	1	CK45
⑨	Slide Guide	1	Bronze + G
⑩	Positive Return A	2	CK45
⑪	Positive Return B	2	CK22
⑫	Slider Plate A	2	CK45

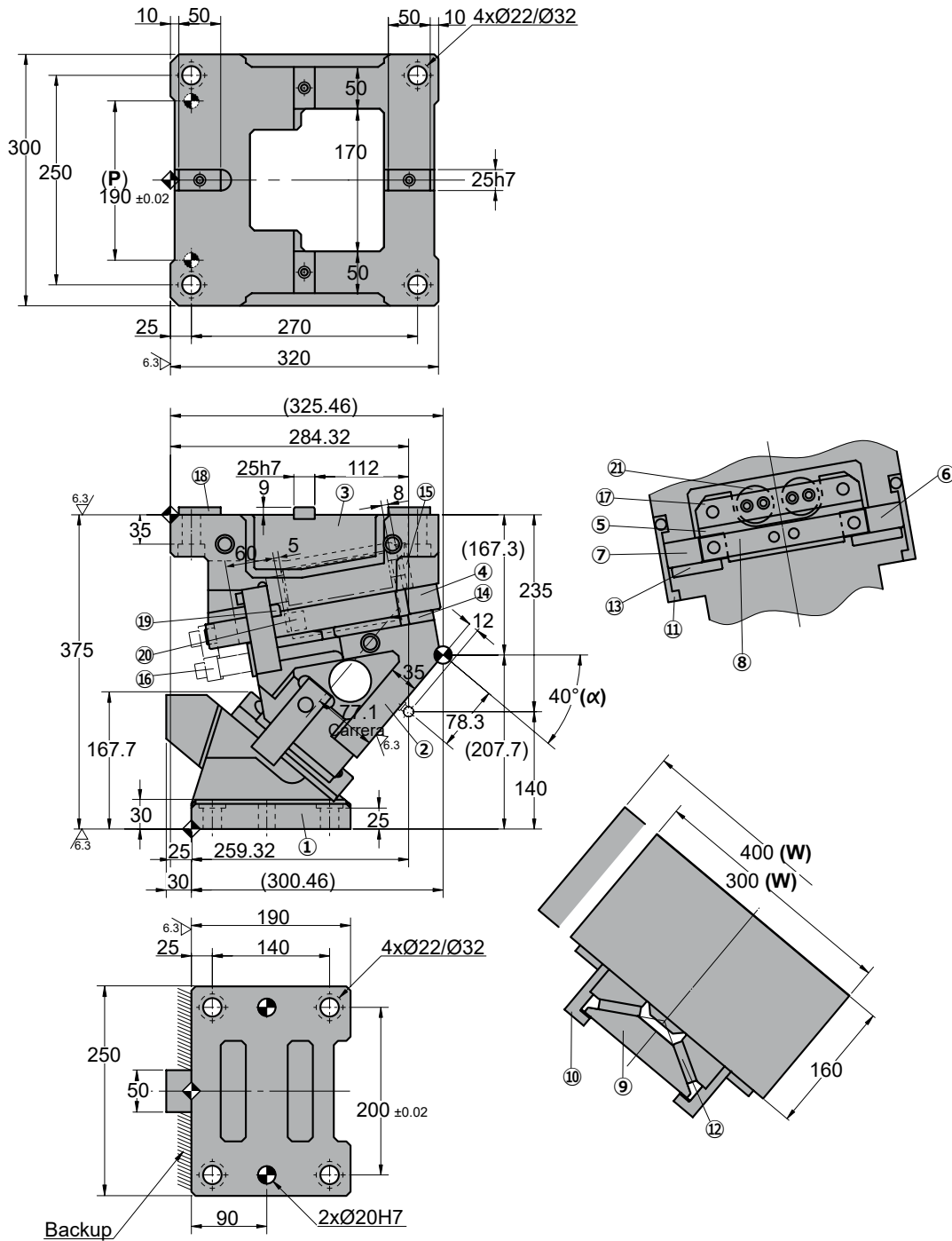
No.	Description	Qty.	Material
⑬	Slider Plate B	4	Bronze
⑭	Slider Plate C	1	Bronze
⑮	Coil Spring Holder	1	CK45
⑯	Locking plate	1	CK22
⑰	Spring Guide Plate	1	CK22
⑱	Key A	4	CK45
⑲	Key B	2	CK45
⑳	Stopper	3	Urethane
㉑	Coil Spring	2	TJM50-203
㉒	Gas Spring	2	FD 500 80

# ANRP 0300-0400

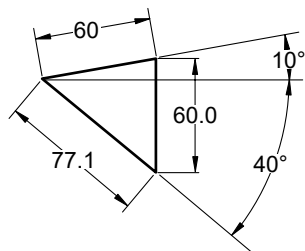
Aerial cam for pierce and flange



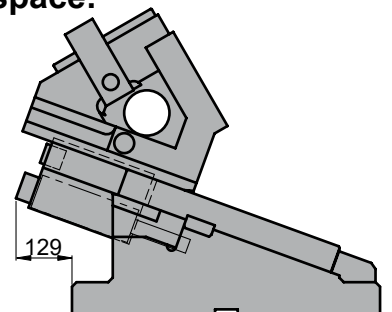
**ANRP 0300 40**  
**ANRP 0400 40**



◦Cam diagram:





◦Desassembling space:





# ANRP 0300-0400

Aerial cam for pierce and flange

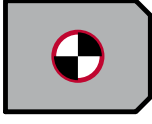

Stroke (mm)	Working force kN - (tons)	Spring Force N - (kgf)		Weight (Kg) W=300	Weight (Kg) W=400	Model	W (mm)	$\alpha$ (mm)
		Initial F <sub>0</sub>	Final F <sub>1</sub>					
77.1	451.1 (46.0)	1314.1 (134.0)	9198.0 (937.9)	146.2	153.3	ANRP	0300 0400	40
		 ---	 11783.9 (1201.6)					



Order: Model (W) ( $\alpha$ )  
**ANRP 0300 40**

Standard order example according to catalog sheet. Add options applying options table contents.

## OPTIONS

	<p><b>P PINS</b></p>  <p><b>P 16</b> - Ø16 H7.  <b>P 20</b> - Ø20 H7. (Only cam holder)</p>
	<p><b>G GAS SPRING</b></p>  <p><b>G</b> Gas spring included in the cam</p>

### Order Options: Model (W) ( $\alpha$ )-Option



**ANRP 0300 40-P16**  
**ANRP 0300 40-G-P16**



### SPARE PARTS:

- ⑤ Spring Guide
- ⑨ Slide Guide
- ⑬ Slider Plate B
- ⑭ Slider Plate C
- ⑳ Coil Spring
- ㉑ Gas spring (**G**)

## COMPONENTS

No.	Description	Qty.	Material
①	Cam Driver	1	GG25
②	Cam Slider	1	GG25
③	Cam Holder	1	GG25
④	Base Plate	1	CK45
⑤	Spring Guide	1	Bronze + G
⑥	Base Plate F-R	1	CK45
⑦	Base Plate F-L	1	CK45
⑧	Stopper Plate	1	CK45
⑨	Slide Guide	1	Bronze + G
⑩	Positive Return A	2	CK45
⑪	Positive Return B	2	CK22
⑫	Slider Plate A	2	CK45

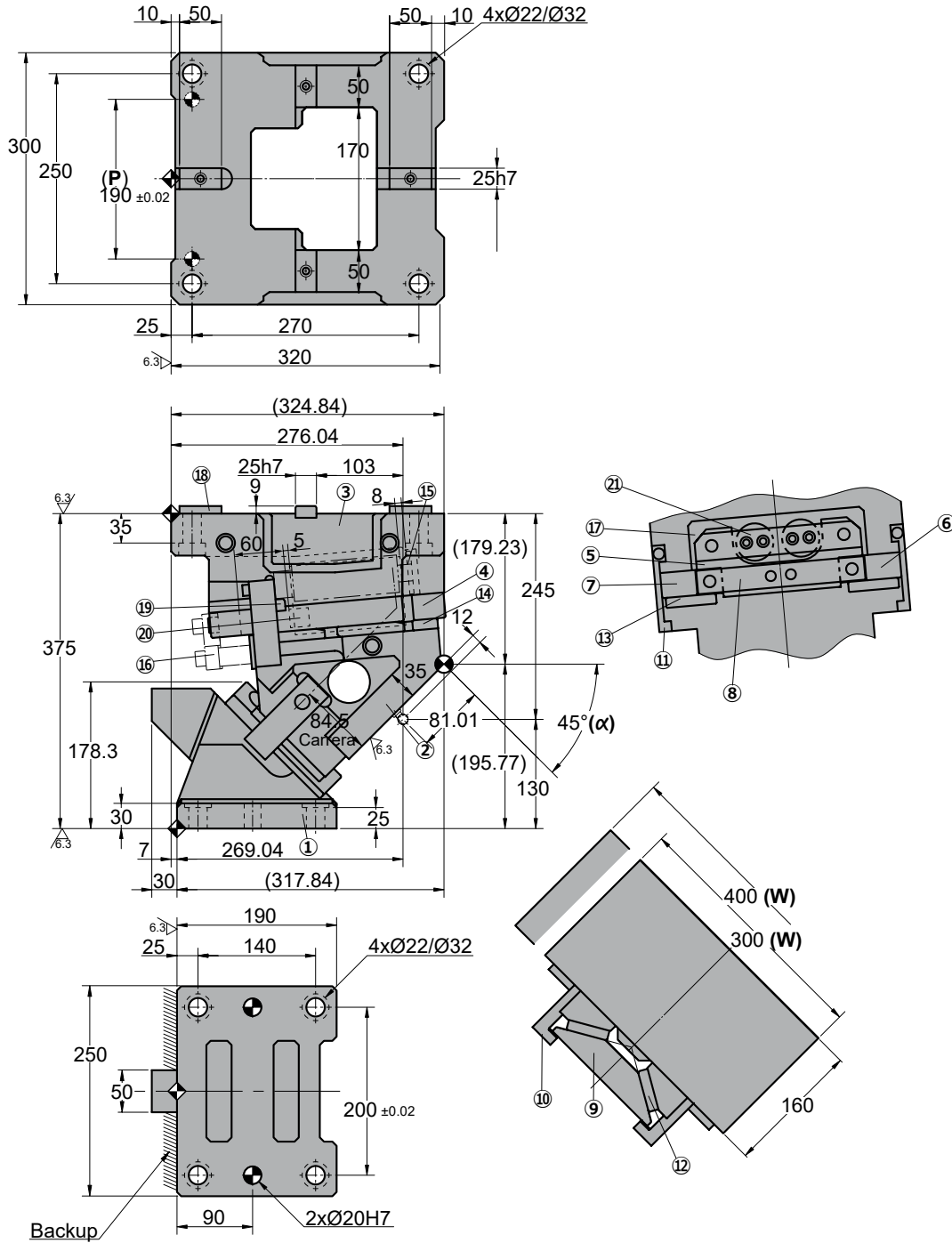
No.	Description	Qty.	Material
⑬	Slider Plate B	4	Bronze
⑭	Slider Plate C	1	Bronze
⑮	Coil Spring Holder	1	CK45
⑯	Locking plate	1	CK22
⑰	Spring Guide Plate	1	CK22
⑱	Key A	4	CK45
⑲	Key B	2	CK45
⑳	Stopper	3	Urethane
㉑	Coil Spring	2	TJM50-203
㉒	Gas Spring	2	FD 500 80

# ANRP 0300-0400

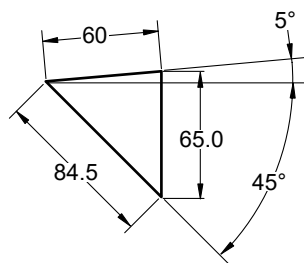
Aerial cam for pierce and flange



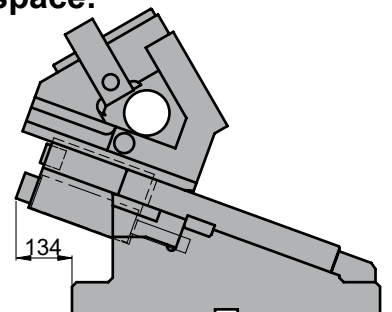
**ANRP 0300 45**  
**ANRP 0400 45**



◦Cam diagram:





◦Desassembling space:





# ANRP 0300-0400

Aerial cam for pierce and flange



Stroke (mm)	Working force kN - (tons)	Spring Force N - (kgf)		Weight (Kg) W=300	Weight (Kg) W=400	Model	W (mm)	$\alpha$ (mm)
		Initial F <sub>0</sub>	Final F <sub>1</sub>					
84.5	451.1 (46.0)	1314.1 (134.0)	9198.0 (937.9)	148.6	155.6	ANRP	0300 0400	45
		 ---	 11783.9 (1201.6)					



Order: Model (W) ( $\alpha$ )  
**ANRP 0300 45**

Standard order example according to catalog sheet. Add options applying options table contents.

## OPTIONS

	<p><b>P PINS</b></p>  <p><b>P 16</b> - Ø16 H7.  <b>P 20</b> - Ø20 H7. (Only cam holder)</p>
	<p><b>G GAS SPRING</b></p>  <p><b>G</b> Gas spring included in the cam</p>

### Order Options: Model (W) ( $\alpha$ )-Option



**ANRP 0300 45-P16**  
**ANRP 0300 45-G-P16**



### SPARE PARTS:

- ⑤ Spring Guide
- ⑨ Slide Guide
- ⑬ Slider Plate B
- ⑭ Slider Plate C
- ⑳ Coil Spring
- ㉑ Gas spring (**G**)

## COMPONENTS

No.	Description	Qty.	Material
①	Cam Driver	1	GG25
②	Cam Slider	1	GG25
③	Cam Holder	1	GG25
④	Base Plate	1	CK45
⑤	Spring Guide	1	Bronze + G
⑥	Base Plate F-R	1	CK45
⑦	Base Plate F-L	1	CK45
⑧	Stopper Plate	1	CK45
⑨	Slide Guide	1	Bronze + G
⑩	Positive Return A	2	CK45
⑪	Positive Return B	2	CK22
⑫	Slider Plate A	2	CK45

No.	Description	Qty.	Material
⑬	Slider Plate B	4	Bronze
⑭	Slider Plate C	1	Bronze
⑮	Coil Spring Holder	1	CK45
⑯	Locking plate	1	CK22
⑰	Spring Guide Plate	1	CK22
⑱	Key A	4	CK45
⑲	Key B	2	CK45
⑳	Stopper	3	Urethane
㉑	Coil Spring	2	TJM50-203

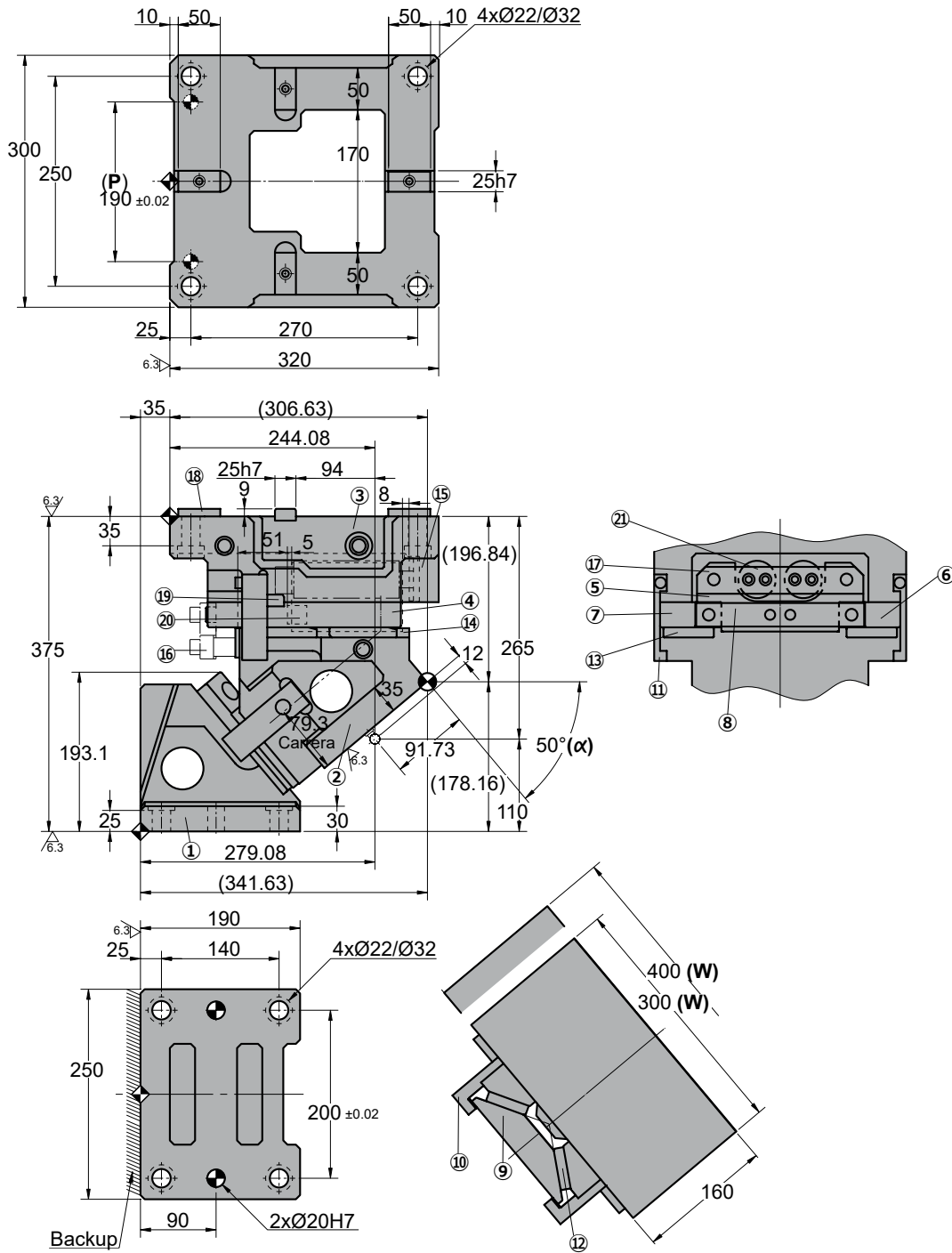
㉒	Gas Spring	2	FD 500 80
---	------------	---	-----------

# ANRP 0300-0400

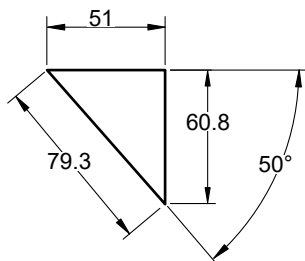
Aerial cam for pierce and flange



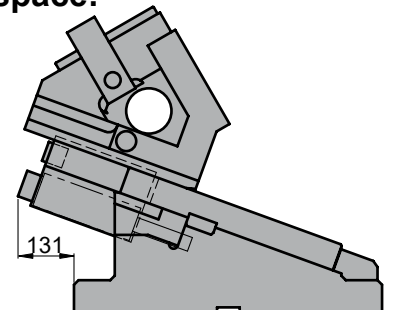
**ANRP 0300 50**  
**ANRP 0400 50**



◦Cam diagram:



◦Desassembling space:





# ANRP 0300-0400

Aerial cam for pierce and flange



Stroke (mm)	Working force kN - (tons)	Spring Force N - (kgf)		Weight (Kg) W=300	Weight (Kg) W=400	Model	W (mm)	$\alpha$ (mm)
		Initial F <sub>0</sub>	Final F <sub>1</sub>					
79.3	451.1 (46.0)	1314.1 (134.0)	8015.4 (817.9)	122.5	127.7	ANRP	0300 0400	50
		---	11352.1 (1157.6)					



Order: Model (W) ( $\alpha$ )  
**ANRP 0300 50**

Standard order example according to catalog sheet. Add options applying options table contents.

## OPTIONS

	<p><b>P PINS</b></p>  <p><b>P 16</b> - Ø16 H7.  <b>P 20</b> - Ø20 H7. (Only cam holder)</p>
	<p><b>G GAS SPRING</b></p>  <p><b>G</b> Gas spring included in the cam</p>

### Order Options: Model (W) ( $\alpha$ )-Option



**ANRP 0300 50-P16**

**ANRP 0300 50-G-P16**



### SPARE PARTS:

- ⑤ Spring Guide
- ⑨ Slide Guide
- ⑬ Slider Plate B
- ⑭ Slider Plate C
- ⑳ Coil Spring
- ㉑ Gas spring (**G**)

## COMPONENTS

No.	Description	Qty.	Material
①	Cam Driver	1	GG25
②	Cam Slider	1	GG25
③	Cam Holder	1	GG25
④	Base Plate	1	CK45
⑤	Spring Guide	1	Bronze + G
⑥	Base Plate F-R	1	CK45
⑦	Base Plate F-L	1	CK45
⑧	Stopper Plate	1	CK45
⑨	Slide Guide	1	Bronze + G
⑩	Positive Return A	2	CK45
⑪	Positive Return B	2	CK22
⑫	Slider Plate A	2	CK45

No.	Description	Qty.	Material
⑬	Slider Plate B	4	Bronze
⑭	Slider Plate C	1	Bronze
⑮	Coil Spring Holder	1	CK45
⑯	Locking plate	1	CK22
⑰	Spring Guide Plate	1	CK22
⑱	Key A	4	CK45
⑲	Key B	2	CK45
⑳	Stopper	3	Urethane
㉑	Coil Spring	2	TJM50-203

㉒	Gas Spring	2	FD 500 80
---	------------	---	-----------

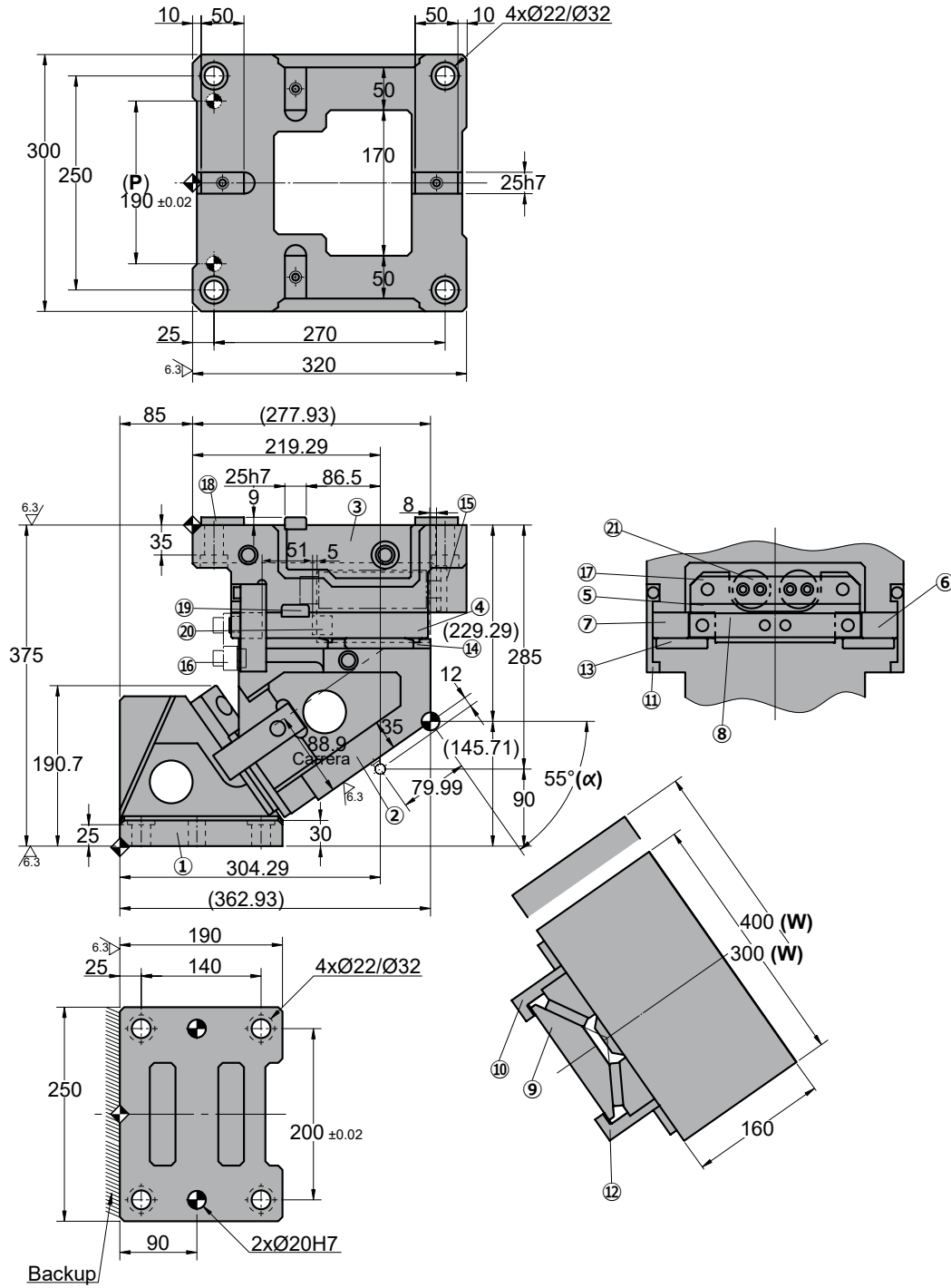


# ANRP 0300-0400

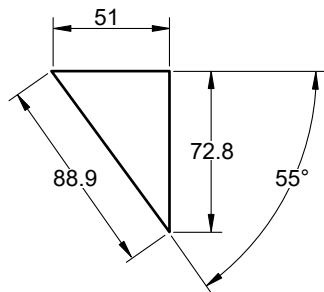
Aerial cam for pierce and flange



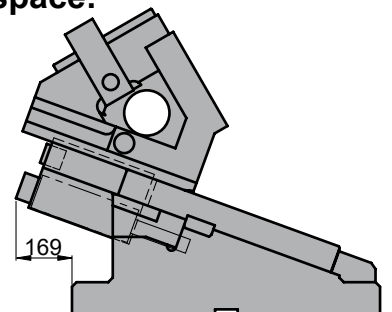
**ANRP 0300 55**  
**ANRP 0400 55**



◦Cam diagram:





◦Desassembling space:





# ANRP 0300-0400

Aerial cam for pierce and flange

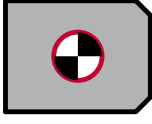

Stroke (mm)	Working force kN - (tons)	Spring Force N - (kgf)		Weight (Kg) W=300	Weight (Kg) W=400	Model	W (mm)	$\alpha$ (mm)
		Initial F <sub>0</sub>	Final F <sub>1</sub>					
88.9	451.1 (46.0)	1314.1 (134.0)	8015.4 (817.9)	130.9	135.9	ANRP	0300 0400	55
		 ---	 11352.1 (1157.6)					



Order: Model (W) ( $\alpha$ )  
**ANRP 0300 55**

Standard order example according to catalog sheet. Add options applying options table contents.

## OPTIONS

	<p><b>P PINS</b></p>  <p><b>P 16</b> - Ø16 H7.  <b>P 20</b> - Ø20 H7. (Only cam holder)</p>
	<p><b>G GAS SPRING</b></p>  <p><b>G</b> Gas spring included in the cam</p>

### Order Options: Model (W) ( $\alpha$ )-Option



**ANRP 0300 55-P16**  
**ANRP 0300 55-G-P16**



### SPARE PARTS:

- ⑤ Spring Guide
- ⑨ Slide Guide
- ⑬ Slider Plate B
- ⑭ Slider Plate C
- ⑳ Coil Spring
- ㉑ Gas spring (**G**)

## COMPONENTS

No.	Description	Qty.	Material
①	Cam Driver	1	GG25
②	Cam Slider	1	GG25
③	Cam Holder	1	GG25
④	Base Plate	1	CK45
⑤	Spring Guide	1	Bronze + G
⑥	Base Plate F-R	1	CK45
⑦	Base Plate F-L	1	CK45
⑧	Stopper Plate	1	CK45
⑨	Slide Guide	1	Bronze + G
⑩	Positive Return A	2	CK45
⑪	Positive Return B	2	CK22
⑫	Slider Plate A	2	CK45

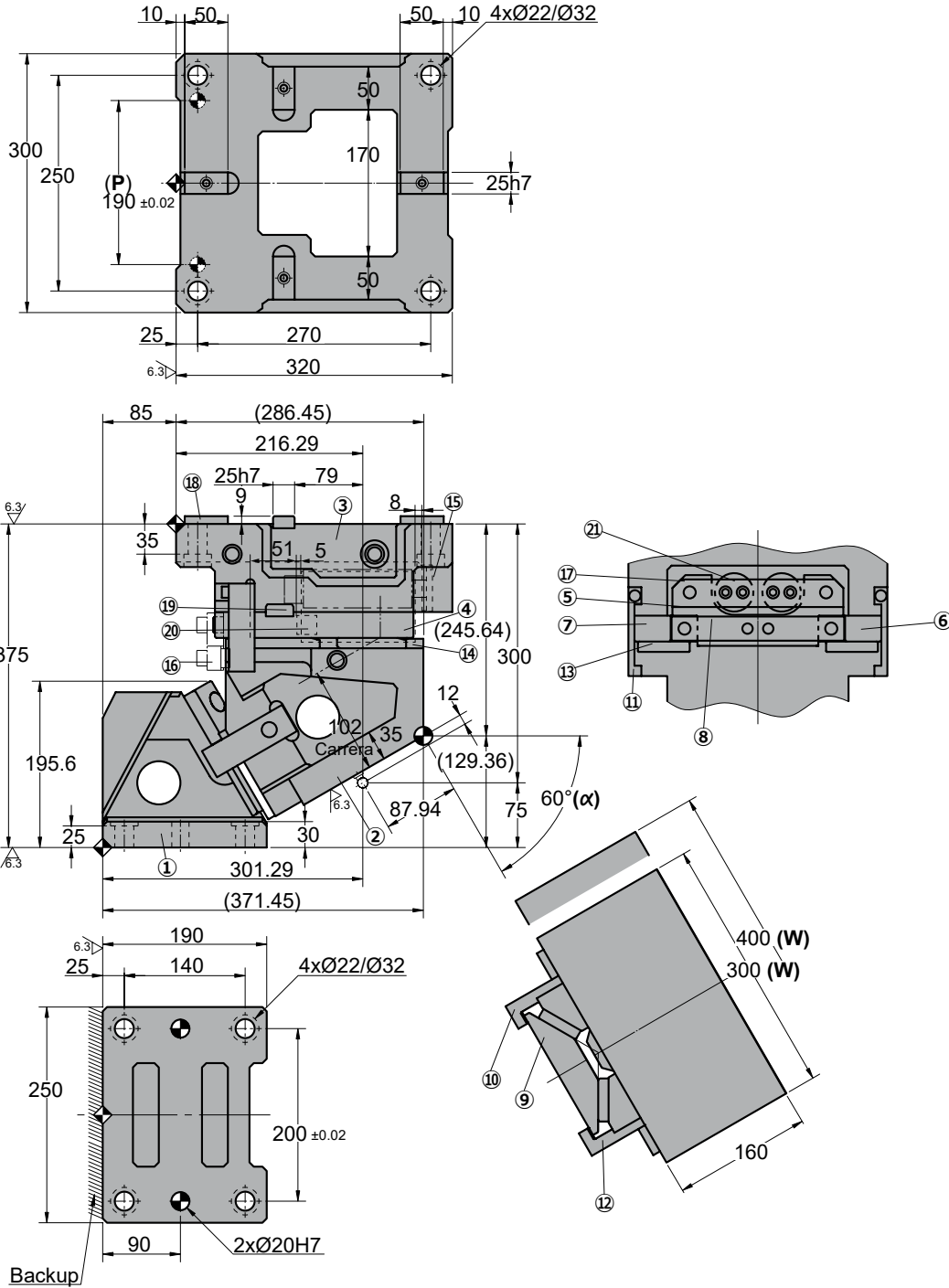
No.	Description	Qty.	Material
⑬	Slider Plate B	4	Bronze
⑭	Slider Plate C	1	Bronze
⑮	Coil Spring Holder	1	CK45
⑯	Locking plate	1	CK22
⑰	Spring Guide Plate	1	CK22
⑱	Key A	4	CK45
⑲	Key B	2	CK45
⑳	Stopper	3	Urethane
㉑	Coil Spring	2	TJM50-203
㉒	Gas Spring	2	FD 500 80

# ANRP 0300-0400

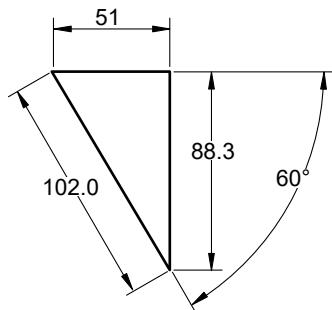
Aerial cam for pierce and flange



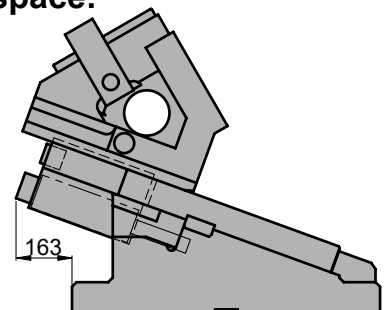
**ANRP 0300 60**  
**ANRP 0400 60**



◦Cam diagram:





◦Desassembling space:





# ANRP 0300-0400

Aerial cam for pierce and flange



Stroke (mm)	Working force kN - (tons)	Spring Force N - (kgf)		Weight (Kg) W=300	Weight (Kg) W=400	Model	W (mm)	$\alpha$ (mm)
		Initial F <sub>0</sub>	Final F <sub>1</sub>					
102.0	451.1 (46.0)	1314.1 (134.0)	8015.4 (817.9)	135.3	140.4	ANRP	0300 0400	60
		 ---	 11352.1 (1157.6)					



Order: Model (W) ( $\alpha$ )  
**ANRP 0300 60**

Standard order example according to catalog sheet. Add options applying options table contents.

## OPTIONS

	<p><b>P PINS</b></p>  <p><b>P 16</b> - Ø16 H7.  <b>P 20</b> - Ø20 H7. (Only cam holder)</p>
	<p><b>G GAS SPRING</b></p>  <p><b>G</b> Gas spring included in the cam</p>

### Order Options: Model (W) ( $\alpha$ )-Option



**ANRP 0300 60-P16**  
**ANRP 0300 60-G-P16**



### SPARE PARTS:

- ⑤ Spring Guide
- ⑨ Slide Guide
- ⑬ Slider Plate B
- ⑭ Slider Plate C
- ⑳ Coil Spring
- ㉑ Gas spring (**G**)

## COMPONENTS

No.	Description	Qty.	Material
①	Cam Driver	1	GG25
②	Cam Slider	1	GG25
③	Cam Holder	1	GG25
④	Base Plate	1	CK45
⑤	Spring Guide	1	Bronze + G
⑥	Base Plate F-R	1	CK45
⑦	Base Plate F-L	1	CK45
⑧	Stopper Plate	1	CK45
⑨	Slide Guide	1	Bronze + G
⑩	Positive Return A	2	CK45
⑪	Positive Return B	2	CK22
⑫	Slider Plate A	2	CK45

No.	Description	Qty.	Material
⑬	Slider Plate B	4	Bronze
⑭	Slider Plate C	1	Bronze
⑮	Coil Spring Holder	1	CK45
⑯	Locking plate	1	CK22
⑰	Spring Guide Plate	1	CK22
⑱	Key A	4	CK45
⑲	Key B	2	CK45
⑳	Stopper	3	Urethane
㉑	Coil Spring	2	TJM50-203
㉒	Gas Spring	2	FD 500 80

# ANRP 0300-0400



*Aerial cam for pierce and flange*